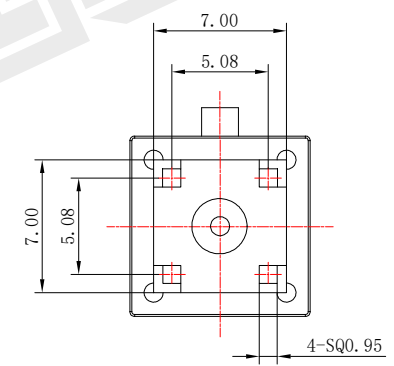
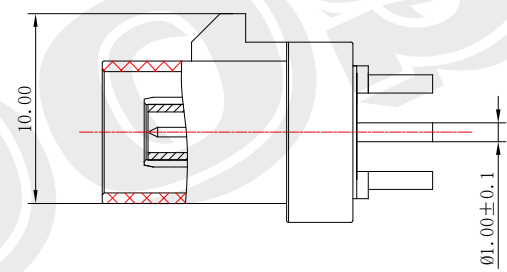
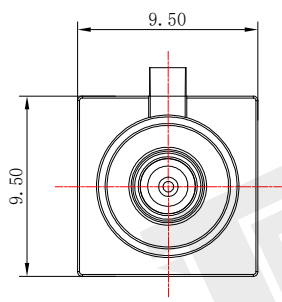
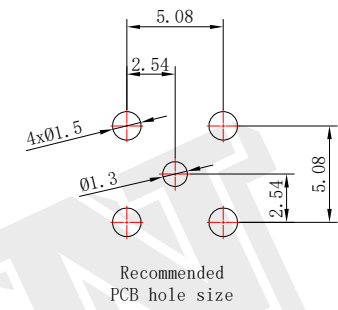
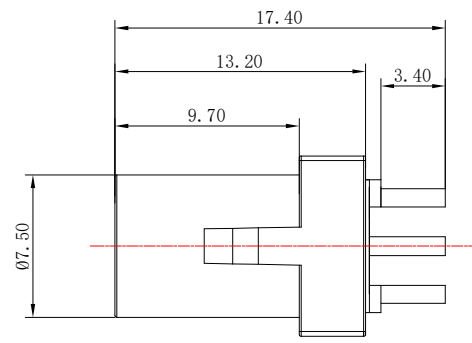




Product NO.		DS1-01XXM2002-A		
REV	DESCRIPTION	DWN	DATE	APPROVEN
A	First issue	Gavin	2024/07/27	John kine



Technical requirements:

- Standard impedance: 50 OHM
- Frequency range: 0-6 GHz
- Voltage rating value: 335V. r.r.m. s maximum value at sea level
- Dielectric withstand voltage: 750V.r.r.m. s minimum value at sea level
- Voltage standing wave ratio: 1.50 MAX
- Mechanical durability: 500 insertions and removals
- The retention force between the insulator and copper components is greater than 2kg

NOTE:	Tolerance	0.5 - 8mm ± 0.20mm 8 - 30mm ± 0.25mm 30 - 120mm ± 0.30mm	东莞市德索精密工业有限公司 Dongguan Dosin Precision Industry Co.,Ltd		
DRAWN Gavin	View		Name: FAKRA MALE 180° FOR PCB CONNRCTOR		
CHECKED	UNIT	MM	SIZE A	Product NO. DS1-01XXM2002-A	REV A
APPROVALS John kine	SCALE	1:1	DateTime 2024/07/27	CAD FILE D/company drawings/BD	SHEET: 1 OF 2

4	Center Pin	Brass	Gold Plated	1
3	Insulator	PTFE	白色	1
2	Body	Brass	Nickel Plated	1
1	Shell	PA46	Refer to P/N table	1
NO	NAME	SPECIFICATION	FINISH	QTY



Product NO.		DS1-01XXM2002-A		
REV	DESCRIPTION	DWN	DATE	APPROVEN
A	First issue	Gavin	2024/07/27	John kine

Coding	Graphics	Colour	Product NO.
A		Black RAL9005	DS1-0101M2002-A
B		White RAL9001	DS1-0102M2002-A
C		Blue RAL5005	DS1-0103M2002-A
D		Bordeaux RAL4004	DS1-0104M2002-A
E		Green RAL6002	DS1-0105M2002-A
F		Brown RAL8011	DS1-0106M2002-A
G		Gray RAL7031	DS1-0107M2002-A

Coding	Graphics	Colour	Product NO.
H		Violet RAL4003	DS1-0108M2002-A
I		Beige RAL1001	DS1-0109M2002-A
K		Curry RAL1027	DS1-0110M2002-A
L		Carmine Red RAL3002	DS1-0111M2002-A
M		Pastel Orange RAL2003	DS1-0112M2002-A
N		Pastel Green RAL6019	DS1-0113M2002-A
Z		Water Blue RAL5021	DS1-0114M2002-A

NOTE:	Tolerance	0.5 - 8mm ± 0.20mm 8 - 30mm ± 0.25mm 30 - 120mm ± 0.30mm	东莞市德索精密工业有限公司 Dongguan Dosin Precision Industry Co.,Ltd		
DRAWN Gavin	View		Name: FAKRA MALE 180° FOR PCB CONNRCTOR		
CHECKED	UNIT	MM	SIZE A	Product NO. DS1-01XXM2002-A	REV A
APPROVALS John kine	SCALE	1:1	DateTime 2024/07/27	CAD FILE D/company drawings/BD	SHEET: 2 OF 2