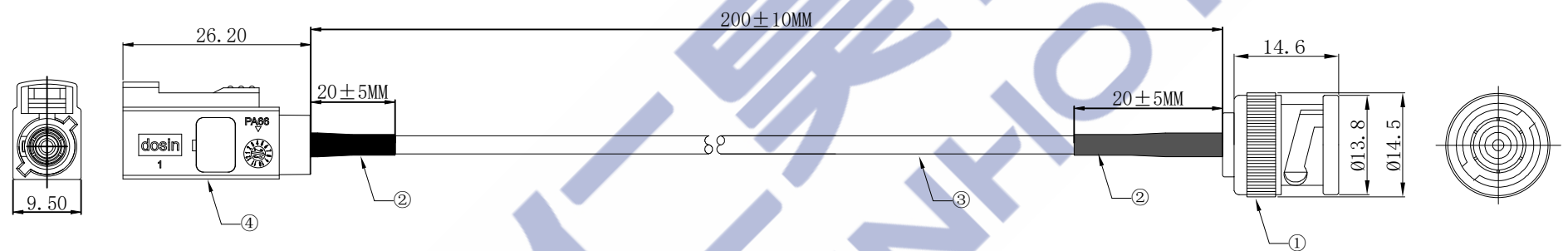




Product NO.		RHT-605-6183		
REV	DESCRIPTION	DWN	DATE	APPROVEN
R1.0	FIRST ISSUE	YYX	2023.07.13	Gavin



Fakra Jack
C Code
Blue

Specifications:
 Impedance:50 Ohms
 Frequency Range:0-3GHz
 VSWR:1.5MAX
 Working Voltage:335V rms sea level
 Temperature Range:-20°C To +80°C

4	Fakra Jack	DS1-0103F0001-A	Brass , Nickel plating	1
3	CABLE	CA-605-6183	RG174, Jacket:PVC BLACK OD:2.8±0.1mm	1
2	HOT SHRINK TUBE	9-010302001	Black L=20mm	2
1	BNC PLUG	RHT-612-0647	Brass , Nickel plating	1
NO	PART NAME	P/N	DESCRIPTION	QTY

-TOLERANCES- UNLESS OTHERWISE SPECIFIED UNLESS OTHERWISE SPECIFIED TOLERANCES FOR MILLIMETERS ARE: 0.5 - 8mm ± 0.20mm 8 - 30mm ± 0.25mm 30 -120mm ± 0.30mm	RENHOTEC GROUP		PART DESCRIPTION: BNC PLUG to Fakra JACK C CODE FOR RG174 cable 20cm, 50Ω			
	Appd: Gavin Check: Draw: YYX	P/N: RHT-605-6183 Date: 2024.07.13 Scale: Free Unit: MM Type: Z Page: 1/1				