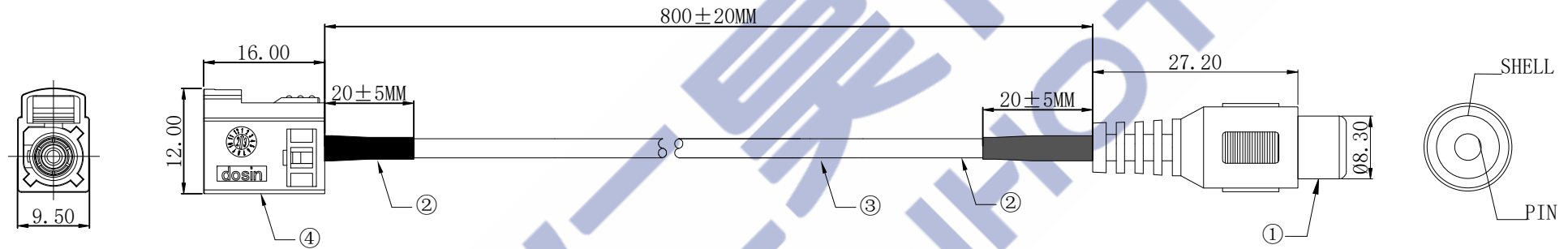




|             |             |              |            |          |
|-------------|-------------|--------------|------------|----------|
| Product NO. |             | RHT-605-6191 |            |          |
| REV         | DESCRIPTION | DWN          | DATE       | APPROVEN |
| R1.0        | FIRST ISSUE | YYX          | 2023.07.29 | Gavin    |



Fakra Jack  
z Code  
Water Blue

**Specifications:**

Impedance:50 Ohms  
Frequency Range:DC~3G  
VSWR:1.5MAX  
Working Voltage:335V rms sea level  
Temperature Range:-20°C To +80°C

|  |  |                   |       |      |          |
|--|--|-------------------|-------|------|----------|
| -TOLERANCES-<br>UNLESS OTHERWISE<br>SPECIFIED  | <b>RENHOTEC GROUP</b>  |                   |       |      |          |
|  | PART DESCRIPTION: RCA JACK to Fakra JACK Z<br>CODE FOR RG174 Cable 80cm, 50Ω |                   |       |      |          |
| UNLESS OTHERWISE SPECIFIED<br>TOLE RANCES FOR MILLIMETERS<br>ARE:<br>0.5 - 8mm ± 0.20mm<br>8 - 30mm ± 0.25mm<br>30 -120mm ± 0.30mm | Appd: Gavin  | P/N: RHT-605-6191 |       |      |          |
|  | Check:   | Date              | Scale | Unit | Type     |
|  | Draw: YYX  | 2024.07.29        | Free  | MM   | Z        |
|  |  |                   |       |      | Page 1/1 |

|    |                 |                 |                                      |     |
|----|-----------------|-----------------|--------------------------------------|-----|
| 4  | Fakra jack      | DS1-0114F0003-A | Brass , Nickel plating               | 1   |
| 3  | CABLE           | CA-605-6191     | RG174, Jacket:PVC BLACK OD:2.8±0.1mm | 1   |
| 2  | HOT SHRINK TUBE | 9-010302001     | Black L=20mm                         | 2   |
| 1  | RCA JACK        | RHT-605-3374    | Brass ,Nickel plated                 | 1   |
| NO | PART NAME       | P/N             | DESCRIPTION                          | QTY |