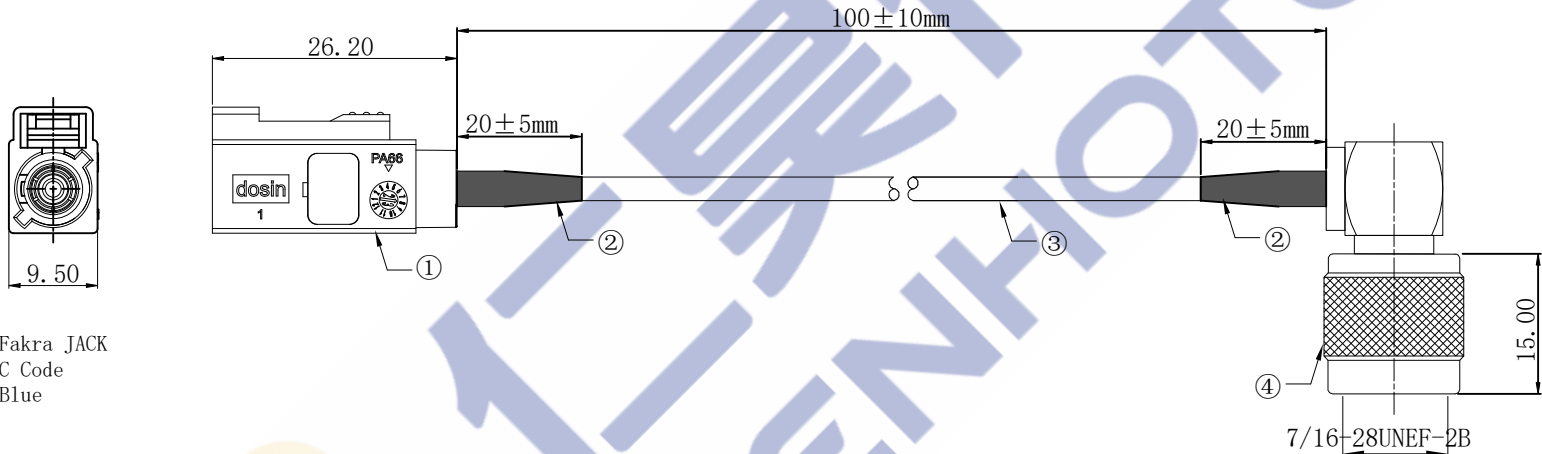




Product NO.		RHT-605-6208		
REV	DESCRIPTION	DWN	DATE	APPROVEN
R1.0	FIRST ISSUE	YYX	2024.08.05	Gavin



Fakra JACK
C Code
Blue

Specifications:
 Impedance:50 Ohms
 Frequency Range:DC~3G
 VSWR:1.5MAX
 Working Voltage:335V rms sea level
 Temperature Range:-20°C To +80°C

-TOLERANCES- UNLESS OTHERWISE SPECIFIED UNLESS OTHERWISE SPECIFIED TOLERANCES FOR MILLIMETERS ARE: 0.5 - 8mm ± 0.20mm 8 - 30mm ± 0.25mm 30 -120mm ± 0.30mm	RENHOTEC GROUP	
	PART DESCRIPTION: Fakra C code JACK to TNC Plug for RG179 cable, 10cm, 50Ω	
	Appd: Gavin	P/N: RHT-605-6208
	Check:	Date: 2024.08.05 Scale: Free Unit: MM Type: Z Page: 1/1

4	R/A TNC Plug		Brass , Nickel plating	1
3	CABLE	CA-605-6208	RG179, Jacket:FEP Brown OD:2.5±0.1mm	1
2	HOT SHRINK TUBE	9-010302002	Black L=20mm	2
1	Fakra JACK	DS1-0103F0001-A	Brass , Nickel plating	1
NO	PART NAME	P/N	DESCRIPTION	QTY