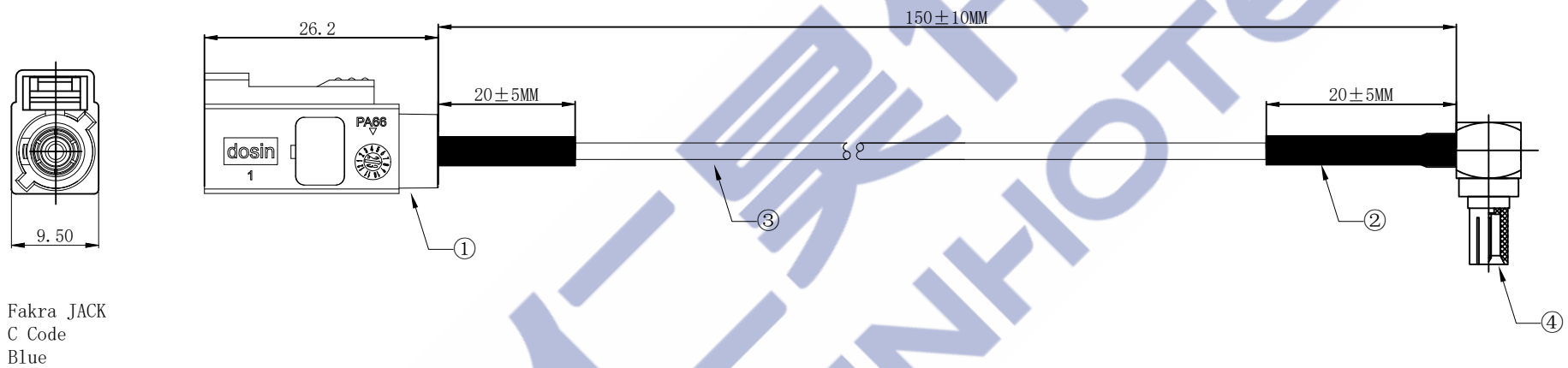




Product NO.		RHT-605-6347		
REV	DESCRIPTION	DWN	DATE	APPROVEN
R1.0	FIRST ISSUE	YYX	2024.08.03	Gavin



Specifications:
 Impedance:50 Ohms
 Frequency Range:DC~3G
 VSWR:1.5MAX
 Working Voltage:335V rms sea level
 Temperature Range:-20°C To +80°C

4	CRC9	DS1-0103F0001-A	Brass , Nickel plating	1
3	CABLE	CA-605-6347	RG178, Jacket:FEP Brown, OD:1.8±0.1mm	1
2	HOT SHRINK TUBE	9-010302004	Black L=20mm	2
1	Fakra JACK		Brass , Nickel plating	1
NO	PART NAME	P/N	DESCRIPTION	QTY

-TOLERANCES- UNLESS OTHERWISE SPECIFIED UNLESS OTHERWISE SPECIFIED TOLERANCES FOR MILLIMETERS ARE: 0.5 - 8mm ± 0.20mm 8 - 30mm ± 0.25mm 30 - 120mm ± 0.30mm	RENHOTEC GROUP				
	PART DESCRIPTION: Fakra Jack C code to CRC9 Plug FOR RG178 cable, 15cm, 50 Ω Appd: Gavin P/N: RHT-605-6347				
Check: Draw: YYX	Date	Scale	Unit	Type	Page
	2024.08.03	Free	MM	Z	1/1