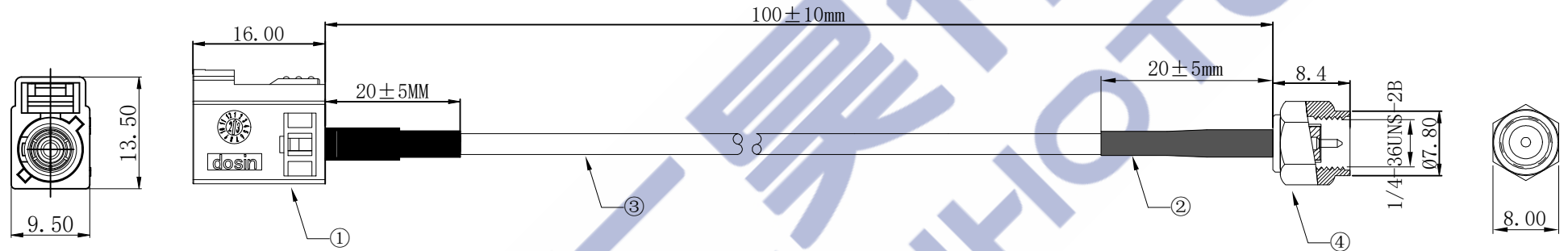




Product NO.			RHT-605-6348		
REV	DESCRIPTION	DWN	DATE	APPROVEN	
R1.0	FIRST ISSUE	YYX	2024.08.03	Gavin	



Fakra JACK
c Code
Blue

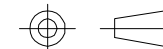
Specifications:

Impedance: 50 Ohms
Frequency Range: DC~6G
VSWR: 1.5MAX
Working Voltage: 335V rms sea level
Temperature Range: -40°C To +105°C

-TOLERANCES-
UNLESS OTHERWISE
SPECIFIED



RENHOTEC GROUP



PART DESCRIPTION: Fakra Jack c code to SMA
PLUG FOR RG316 cable, 10cm, 50 Ω

UNLESS OTHERWISE SPECIFIED
TOLERANCES FOR MILLIMETERS
ARE:
0.5 - 8mm ± 0.20mm
8 - 30mm ± 0.25mm
30 - 120mm ± 0.30mm

Appd: Gavin	P/N: RHT-605-6348				
Check:	Date	Scale	Unit	Type	Page
Draw: YYX	2024.08.03	Free	MM	Z	1/1

4	SMA Plug	RHT-612-0647	Brass, Gold Plating	1
3	CABLE	CA-605-6348	RG316, Jacket:FEP Brown, OD:2.5±0.1mm	1
2	HOT SHRINK TUBE	9-010302001	Black L=20mm	2
1	Fakra JACK	DS1-0103F0003-A	Brass, Nickel plating	1
NO	PART NAME	P/N	DESCRIPTION	QTY