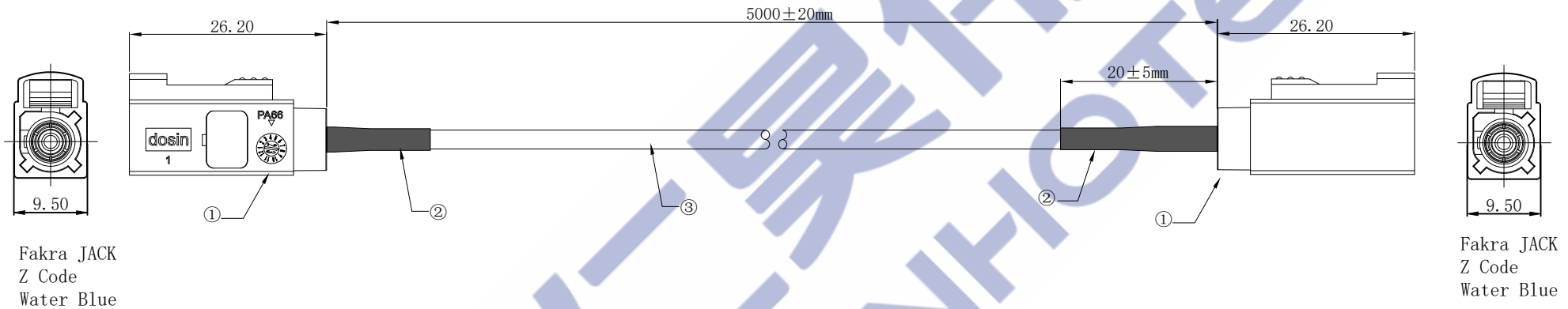




Product NO.		RHT-605-6352		
REV	DESCRIPTION	DWN	DATE	APPROVEN
R1.0	FIRST ISSUE	YYX	2024.08.03	Gavin



Specifications:

Impedance:50 Ohms
 Frequency Range:DC~3G
 VSWR:1.5MAX
 Working Voltage:335V rms sea level
 Temperature Range:-20To +80°C

3	CABLE	CA-605-6352	RG174, Jacket:PVC BLACK OD:2.8±0.1mm	1
2	HOT SHRINK TUBE	9-010302001	Black L=20mm	2
1	Fakra JACK	DS1-0114F0001-A	Brass, Nickel plating	2
NO	PART NAME	P/N	DESCRIPTION	QTY

-TOLERANCES- UNLESS OTHERWISE SPECIFIED		RENHOTEC GROUP			
		PART DESCRIPTION: Fakra Z code JACK to Fakra Z code JACK FOR RG174 cable, 5 m, 50 Ω			
UNLESS OTHERWISE SPECIFIED TOLERANCES FOR MILLIMETERS ARE:		Appd: Gavin	P/N: RHT-605-6352		
0.5 - 8mm ± 0.20mm 8 - 30mm ± 0.25mm 30 - 120mm ± 0.30mm		Check:	Date: 2024.08.03	Scale: Free	Unit: MM
		Draw: YYX	Type: Z	Page: 1/1	