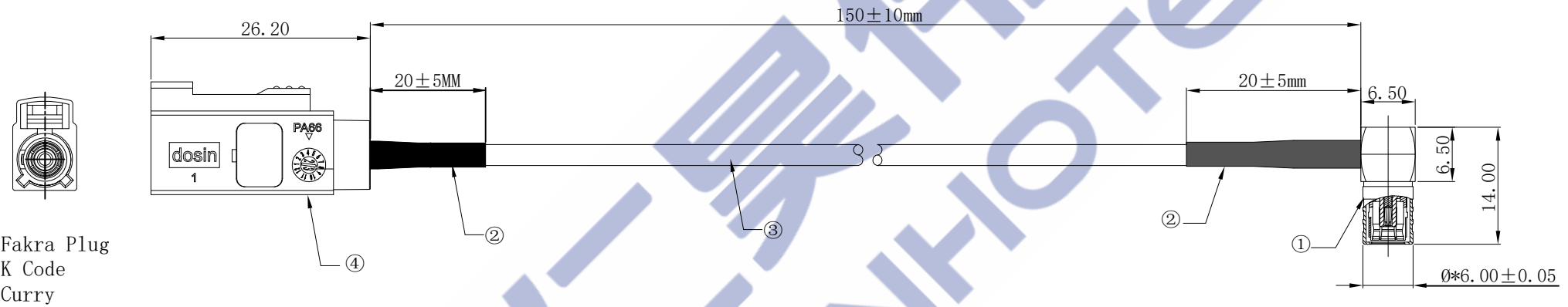




Product NO.		RHT-605-6359		
REV	DESCRIPTION	DWN	DATE	APPROVEN
R1.0	FIRST ISSUE	YYX	2024.08.01	Gavin



Specifications:

Impedance:50 Ohms
 Frequency Range:DC~3G
 VSWR:1.5MAX
 Working Voltage:335V rms sea level
 Temperature Range:-20°C To +80°C

-TOLERANCES-
UNLESS OTHERWISE
SPECIFIED



RENHOTEC GROUP

UNLESS OTHERWISE SPECIFIED
TOLE RANCES FOR MILLIMETERS
ARE:
 0.5 - 8mm ± 0.20mm
 8 - 30mm ± 0.25mm
 30 -120mm ± 0.30mm

PART DESCRIPTION: Fakra K code JACK to R/A SMB PLUG FOR RG174 cable,15cm, 50 Ω					
Appd: Gavin	P/N: RHT-605-6359				
Check:	Date	Scale	Unit	Type	Page
Draw: YYX	2024.08.01	Free	MM	Z	1/1

4	Fakra JACK	DS1-0110F0001-A	Brass , Nickel plating	1
3	CABLE	CA-605-6359	RG174, Jacket:PVC BLACK OD:2.8±0.1mm	1
2	HOT SHRINK TUBE	9-010302001	Black L=20mm	2
1	R/A SMB PLUG	RHT-626-0520	Brass ,Gold plated	1
NO	PART NAME	P/N	DESCRIPTION	QTY