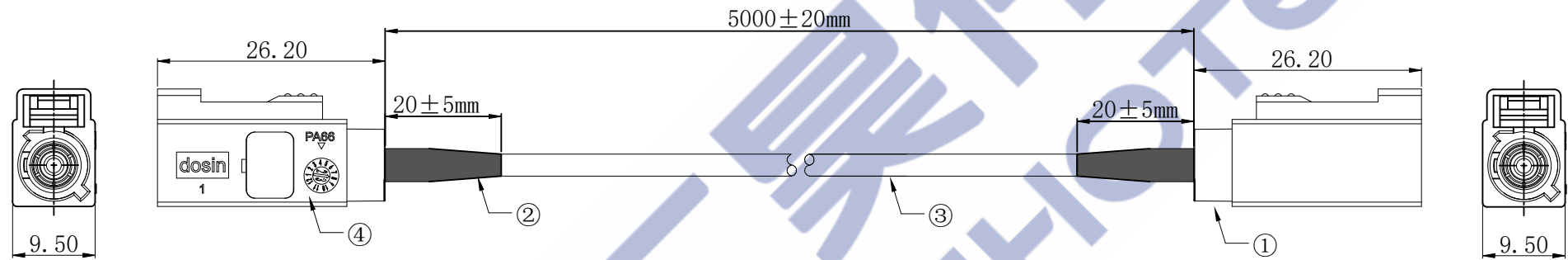




Product NO.		RHT-605-6474		
REV	DESCRIPTION	DWN	DATE	APPROVEN
R1.0	FIRST ISSUE	YYX	2024.08.02	Gavin



Fakra JACK
G Code
Gray

Fakra JACK
G Code
Gray

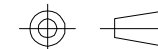
Specifications:

Impedance:50 Ohms
Frequency Range:DC~3G
VSWR:1.5MAX
Working Voltage:335V rms sea level
Temperature Range:-20°C To +80°C

-TOLERANCES-
UNLESS OTHERWISE
SPECIFIED



RENHOTEC GROUP



PART DESCRIPTION: Fakra G code JACK to Fakra G code JACK for RG174 cable,5M, 50Ω

UNLESS OTHERWISE SPECIFIED
TOLERANCES FOR MILLIMETERS
ARE:
0.5 - 8mm ± 0.20mm
8 - 30mm ± 0.25mm
30 - 120mm ± 0.30mm

Appd: Gavin	P/N: RHT-605-6474			
Check:	Date	Scale	Unit	Type
Draw: YYX	2024.08.01	Free	MM	Z
				Page
				1/1

3	CABLE	CA-605-6474	RG174, Jacket:PVC BLACK OD:2.8±0.1mm	1
2	HOT SHRINK TUBE	9-010302001	Black L=20mm	2
1	Fakra JACK	DS1-0107F0001-A	Brass , Nickel plating	2
NO	PART NAME	P/N	DESCRIPTION	QTY