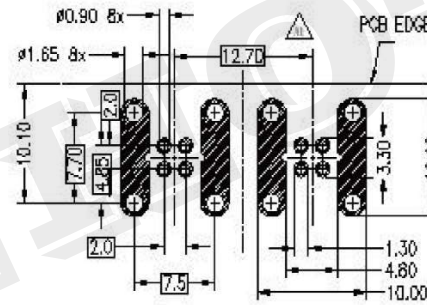
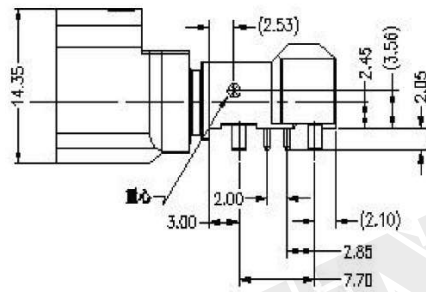
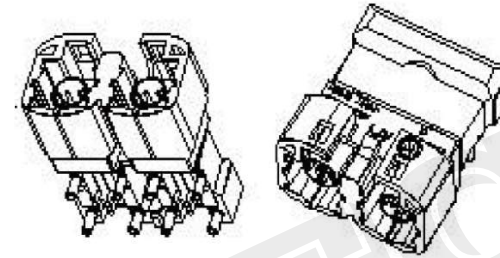
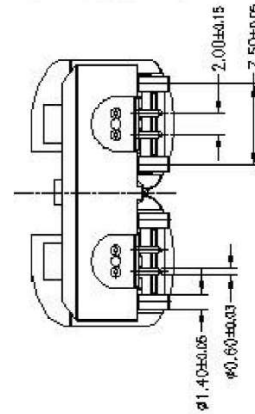
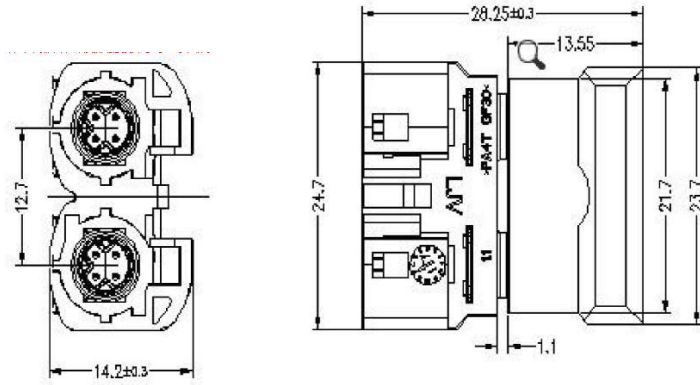




Product NO.		RHT-698-0533		
REV	DESCRIPTION	DWN	DATE	APPROVEN
RI.0	First issue	Gavin	2023/05/17	JIM.KING



Recommended PCB hole size

Electrical performance:  
 1.1 characteristic impedance: 100 Ω  
 1.2 Insulation resistance: 100M Ω min  
 1.3 Voltage withstand: 250V AC  
 1.4 Contact resistance: Inner conductor 10m Ω Max  
 Outer conductor 7.5m Ω Max  
 1.5 Frequency: 0-2GHz

2. Mechanical properties:  
 2.1 Insertion and removal durability: ≥ 25 times  
 2.2 Working temperature: -40 °C~105 °C  
 2.3 Axial pull-out force: ≥ 110N

3. Meet environmental RoHS requirements

Coding	Graphics	Colour	Product NO.
A		Black RAL9005	RHT-698-0533-A
B		White RAL9001	RHT-698-0533-B
C		Blue RAL5005	RHT-698-0533-C
D		Bordeaux RAL4004	RHT-698-0533-D
E		Green RAL6002	RHT-698-0533-E
F		Brown RAL8011	RHT-698-0533-F
Z		Water Blue RAL5021	RHT-698-0533-Z

NO	Description	Material	Finish	QTY
1	Shell	Engineering plastic		1
2	Body	Zinc alloy	Tin	2
3	Insulator	Engineering plastic	None	2
4	Circlip	Stainless steel		2
5	HSD pin	Brass	Gold/Tin	8
6	MQS pin	Brass	Tin	8
7	Back cover	Zinc alloy	Nickel	2

-TOLERANCES- UNLESS OTHERWISE SPECIFIED  UNLESS OTHERWISE SPECIFIED TOLERANCES FOR MILLIMETERS ARE: 0.5 - 8mm ± 0.20mm 8 - 30mm ± 0.25mm 30 - 120mm ± 0.30mm	<b>仁昊伟业</b> <b>RENHOTEC</b>		<b>RENHOTEC GROUP</b>			
	PART DESCRIPTION: HSD MALE 90° FOR PCB CONNECTOR					
Appd: JIM.KING	P/N: RHT-698-0533					
Check:	Date	Scale	Unit	Type	Page	
Draw: Gavin	2023.05.17	Free	MM	Z	1/1	