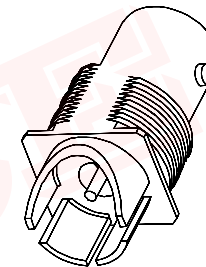
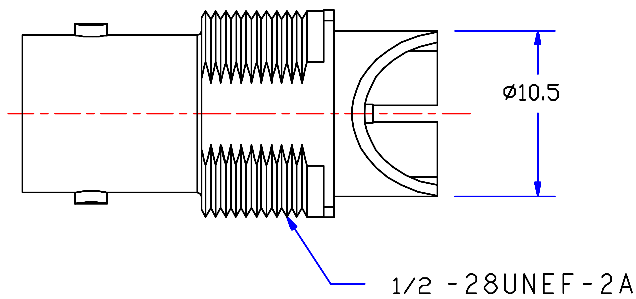
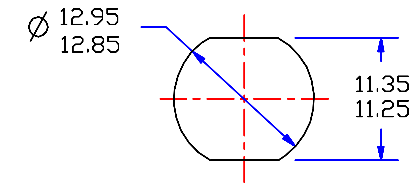
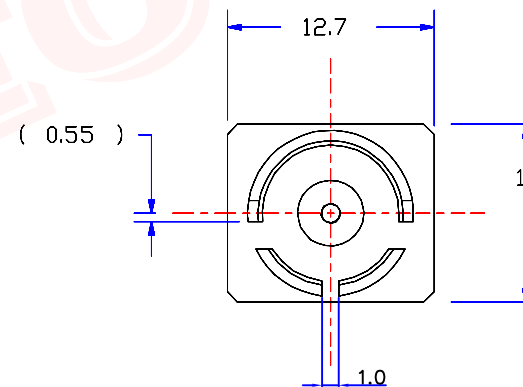
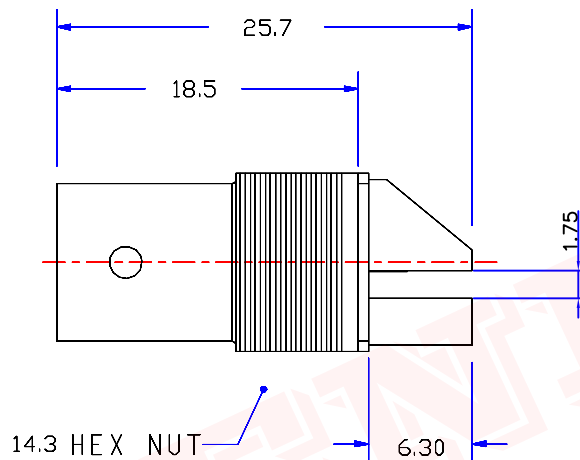




Product NO.		RHT-610-0058			
REV	DESCRIPTION	DWN	DATE	APPROVEN	
A	First issue	Gavin	2016/03/10	JIM. KING	



SCALE 2 / 1



RECOMMENDED
PANEL CUT-OUT

Specifications

Impedance: 75 Ohms
 Frequency Range: DC ~ 6G
 VSWR: 1.3 MAX
 Working Voltage: 500V rms @ sea level
 Insulation Resistance: 5000 Ohms min
 Temperature Range: -55°C TO +155°C
 Relative Humidity: ≤ 95% (40°C ± 2°C)
 Drawings products are in line with ROHS standards

14.3 HEX NUT

-TOLERANCES- UNLESS OTHERWISE SPECIFIED	RENHOTEC GROUP					
	PART DESCRIPTION: RHT-610-0058 P/N: BNC JACK CONNECTOR					
UNLESS OTHERWISE SPECIFIED TOLERANCES FOR MILLIMETERS ARE: 0.5 - 8mm ± 0.200mm 8 - 30mm ± 0.25mm 30 - 120mm ± 0.30mm	Appd: JIM. KING	Date: 2016.03.10	Scale: Free	Unit: MM	Type: Z	Page: 1/1
	Check:	Date:	Scale:	Unit:	Type:	Page:
Draw: Gavin	Date: 2016.03.10	Scale: Free	Unit: MM	Type: Z	Page: 1/1	

6			
5			
4			
3	Pin	BRASS	GOLD
2	INSULATING	TEFLON	Nature
1	BODY	ZINC	GOLD
NO	DESCRIPTION	MATERIAL	FINISH