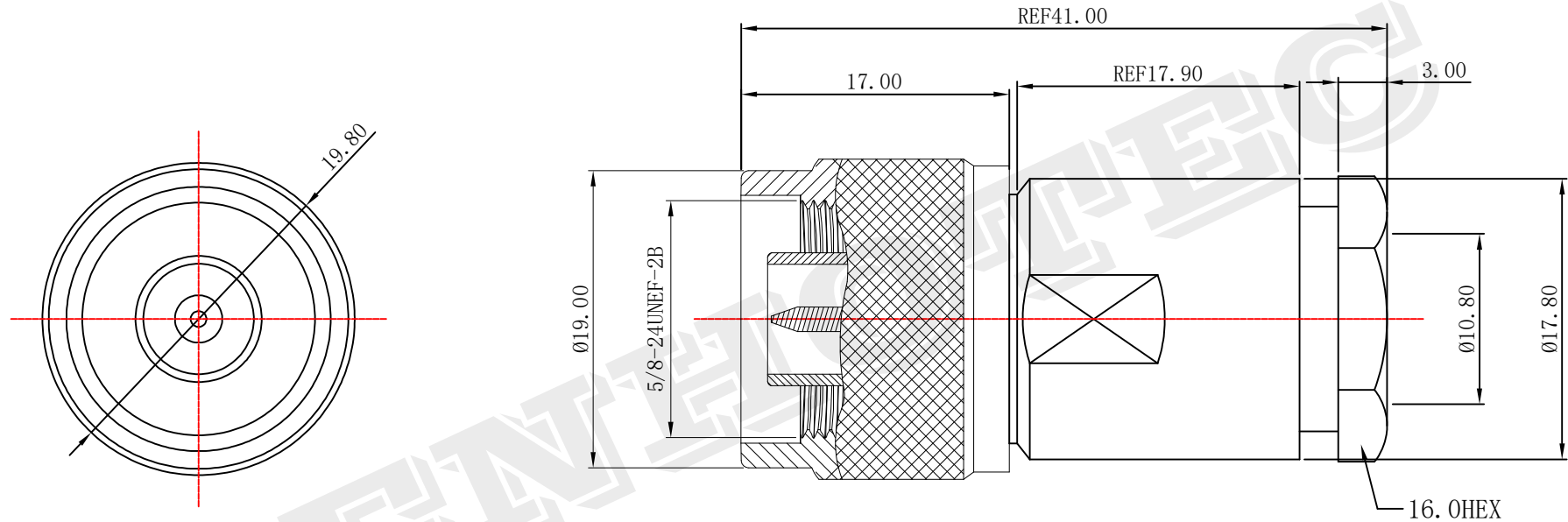




Product NO.		RHT-614-0197			
REV	DESCRIPTION	DWN	DATE	APPROVEN	
A	First issue	Gavin	2018/03/12	JIM. KING	
B	First issue	Gavin	2019/05/15	JIM. KING	



Specifications

Impedance: 50 Ohms
 Frequency Range: 0-6G
 VSWR: 1.5MAX
 Working Voltage: 1000 VRMS (max at sea level)
 Dielectric Withstanding Voltage: 1500 vrms (max at sea level)
 Insulation Resistance: 5000 Ohms min
 Durability Mating: 500 Cycles min
 Temperature Range: -65°C TO +165°C

4	NUT	BRASS	NICKEL	1
3	PIN	BRASS	GOLD	1
2	INSULATOR	PTED	WHITE	1
1	BOOY	BRASS	NICKEL	1
NO	DESCRIPTION	MATERIAL	FINISH	QTY

-TOLERANCES- UNLESS OTHERWISE SPECIFIED UNLESS OTHERWISE SPECIFIED TOLERANCES FOR MILLIMETERS ARE: 0.5 - 8mm ± 0.20mm 8 - 30mm ± 0.25mm 30 - 120mm ± 0.30mm	RENHOTEC GROUP		PART DESCRIPTION: N PLUG FOR LMR400/RG8 CABLE			
	Appd: JIM. KING Check: Draw: Gavin	P/N: RHT-614-0197 Date: 2019.05.15		Scale: Free	Unit: MM	Type: Z