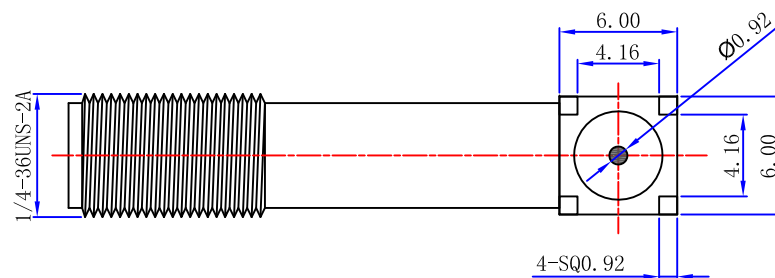
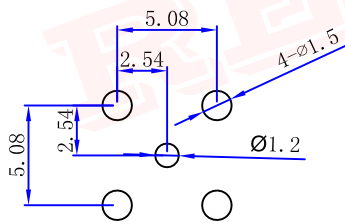
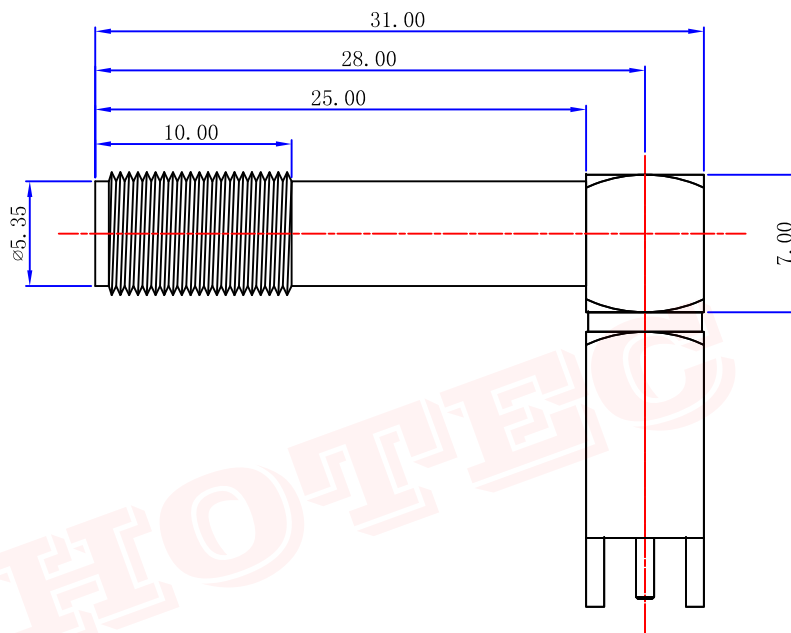
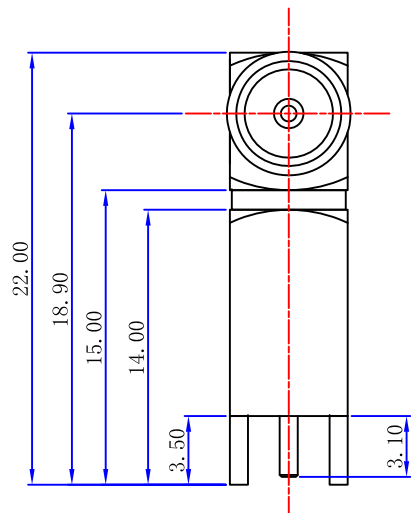




Product NO. RHT-612-0507

ISSUE	DESCRIPTION	DWN	DATE	APPROVEN
Frist	First issue	Gavin	2019/05/05	JIM. KING



**Specifications:**

IMPEDANCE: 50 Ohms  
 Frequency range: 0~6GHZ  
 VSWR: 1.3MAX  
 Working voltage: 500V rms @ sea level  
 Insulation resistance: 5000 Ohms min  
 Temperature range: -55°C TO +155°C  
 Relative temperature: ≤95% (40° C ± 2° C)

PCB

NO	DESCRIPTION	MATERIAL	FINISH	QTY
3	PIN	BRASS	GOLD	1
2	INSULATOR	PTFE	WHITE	1
1	BODY	BRASS	GOLD	1

-TOLERANCES- UNLESS OTHERWISE SPECIFIED		<b>RENHOTEC GROUP</b> <a href="http://www.renhotec.com">www.renhotec.com</a>			
		PART DESCRIPTION: SMA Jack Right angle PCB Mount			
UNLESS OTHERWISE SPECIFIED TOLERANCES FOR MILLIMETERS ARE: 0.5 - 8mm ± 0.15mm 8 - 30mm ± 0.20mm 30 - 120mm ± 0.30mm		Appr: JIM. KING	P/N: RHT-612-0507		
Check:	Date: 2019.05.05	Scale: Free	Unit: MM	Type: Z	Page: 1/1
Draw: Gavin					