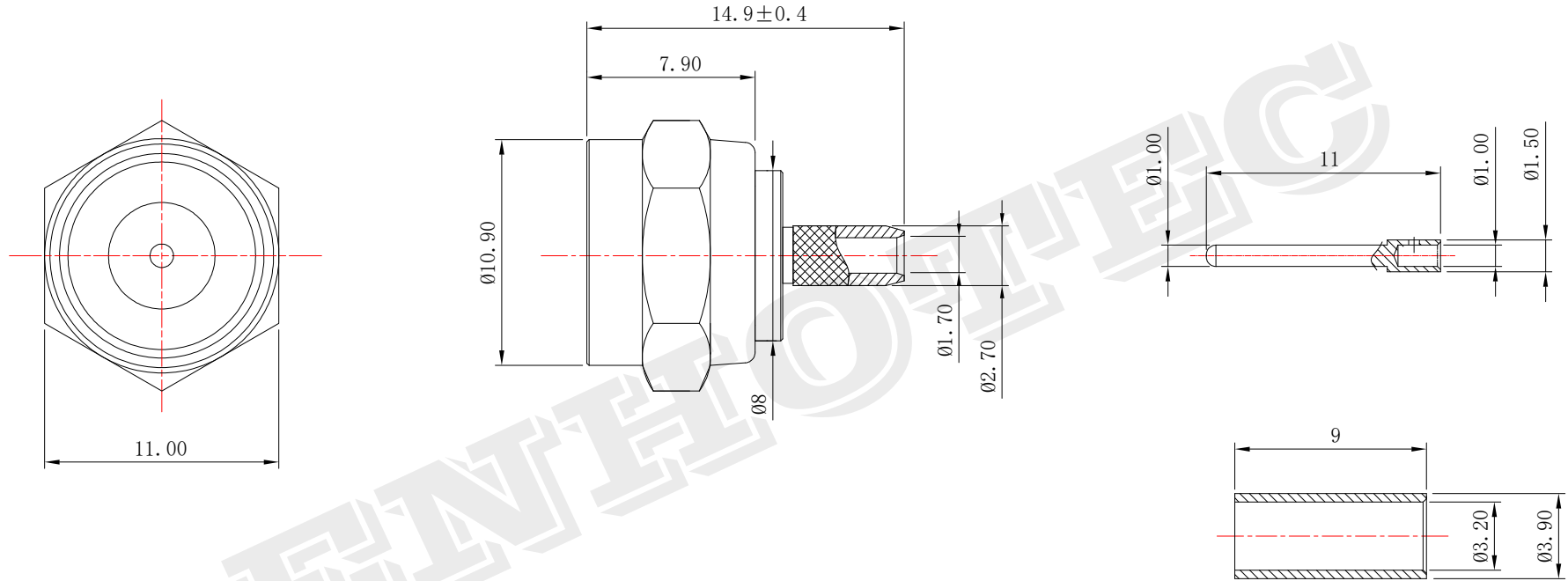




Product NO.		RHT-611-0042			
REV	DESCRIPTION	DWN	DATE	APPROVEN	
R1.0	First issue	Mr. chen	2016/03/20	JIM.KING	
R2.0	Connector size update	Gavin	2024/06/14	JIM.KING	



Specifications:

IMPEDANCE: 75 Ohms
 Frequency range: 0~3GHz
 VSWR: 30db Return loss @ 1GHz
 Working voltage: 15 watts @ continuous
 Insulation resistance: 5000 MOhms min
 Temperature range: -40°C TO +155°C

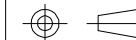
4	Copper Pipe	Brass	Nickel	1
3	Pin	BRASS	Gold	1
2	Insulation	Ptfe	None	1
1	Body	Brass	Nickel	1
NO	DESCRIPTION	MATERIAL	FINISH	QTY

-TOLERANCES-
UNLESS OTHERWISE
SPECIFIED

UNLESS OTHERWISE SPECIFIED
TOLERANCES FOR MILLIMETERS ARE:
0.5 - 8mm ± 0.20mm
8 - 30mm ± 0.25mm
30 - 120mm ± 0.30mm



RENHOTEC GROUP



Appd: JIM.KING

Check:

Draw: Gavin

PART DESCRIPTION:
F PLUG FOR RG179 CABLE

P/N: RHT-611-0042

Date	Scale	Unit	Type	Page
2024.06.14	Free	MM	Z	1/1