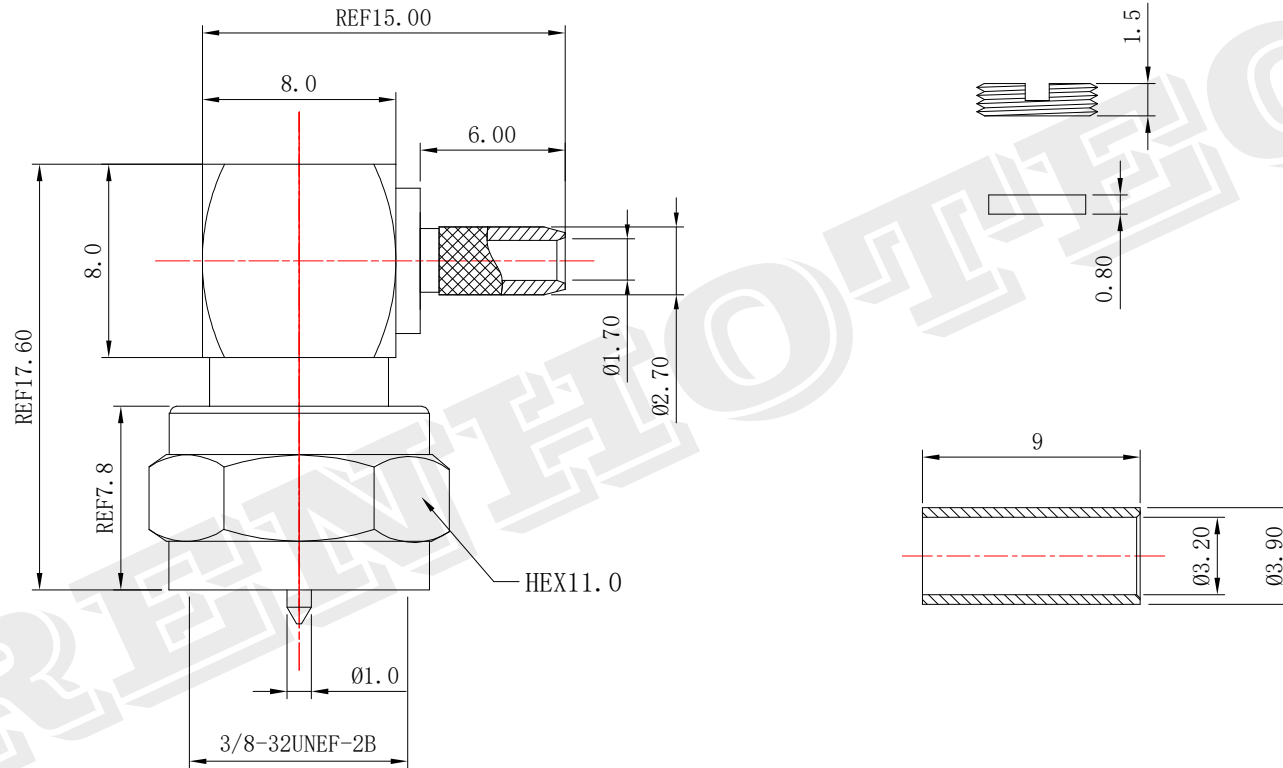




Product NO.		RHT-611-0043		
REV	DESCRIPTION	DWN	DATE	APPROVEN
R1.0	First issue	Mr. chen	2016/03/20	JIM.KING
R2.0	Connector size update	Gavin	2024/06/14	JIM.KING



Specifications:

IMPEDANCE: 75 Ohms
 Frequency range: 0~3GHZ
 VSWR: 30db Return loss @ 1GHZ
 Working voltage: 15 watts @ continuous
 Insulation resistance: 5000 MOhms min
 Temperature range: -40°C TO +155°C

6	Copper Pipe	Brass	Nickel	1
5	Metal cover	Brass	Nickel	1
4	Insulating gasket	Brass	Nickel	1
3	Pin	BRASS	Gold	1
2	Insulation	Ptfe	None	1
1	Body	Brass	Nickel	1
NO	DESCRIPTION	MATERIAL	FINISH	QTY

-TOLERANCES- UNLESS OTHERWISE SPECIFIED		RENHOTECH GROUP			
UNLESS OTHERWISE SPECIFIED TOLERANCES FOR MILLIMETERS ARE: 0.5 - 8mm ± 0.20mm 8 - 30mm ± 0.25mm 30 - 120mm ± 0.30mm		PART DESCRIPTION: R/A F PLUG FOR RG179 CABLE Appd: JIM.KING P/N: RHT-611-0043			
Check:	Date	Scale	Unit	Type	Page
Draw: Gavin	2024.06.14	Free	MM	Z	1/1