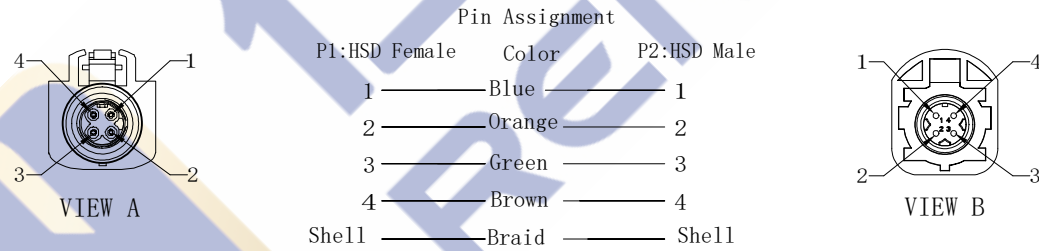
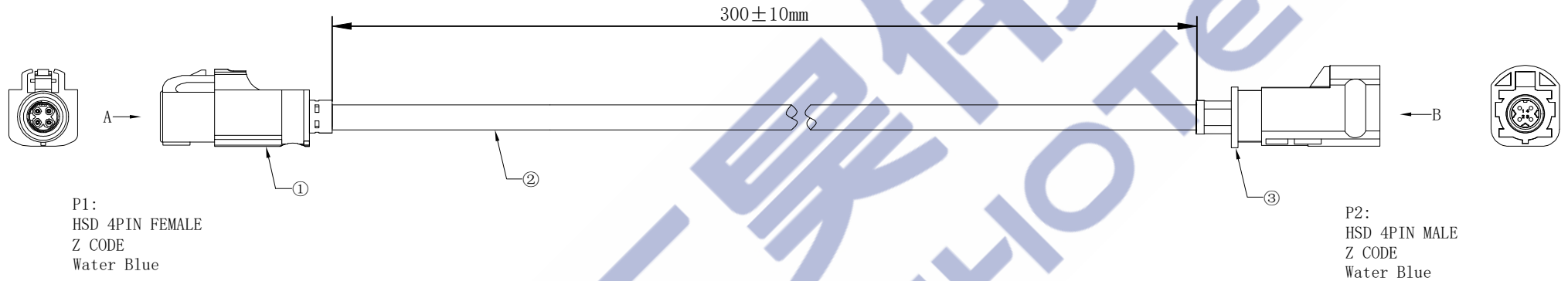


Product NO.			102-12-10022		
REV	DESCRIPTION	DWN	DATE	APPROVEN	
R1.0	FIRST ISSUE	YYX	2024.08.07	Gavin	



Cable: Shielded  
Differential impedance: 100 ohm  
Frequency: DC to 2GHz

-TOLERANCES- UNLESS OTHERWISE SPECIFIED					
	PART DESCRIPTION: HSD Male Z code to HSD Female with Cable 30CM				
UNLESS OTHERWISE SPECIFIED TOLERANCES FOR MILLIMETERS ARE: 0.5 - 8mm ± 0.20mm 8 - 30mm ± 0.25mm 30 - 120mm ± 0.30mm	Appd: Gavin	P/N: 102-12-10022			
	Check:	Date	Scale	Unit	Type
	Draw: YYX	2024.08.07	Free	MM	Z

3	Connector	HSD 4P MALE Z CODE; Colour:Water Blue	1
2	Cable	(7/0.16 TS ID:1.3)*4C+AL+B OD4.60 BLACK PVC	1
1	Connector	HSD 4P FEMALE Z CODE; Colour:Water Blue	1
NO	PART NAME	DESCRIPTION	QTY