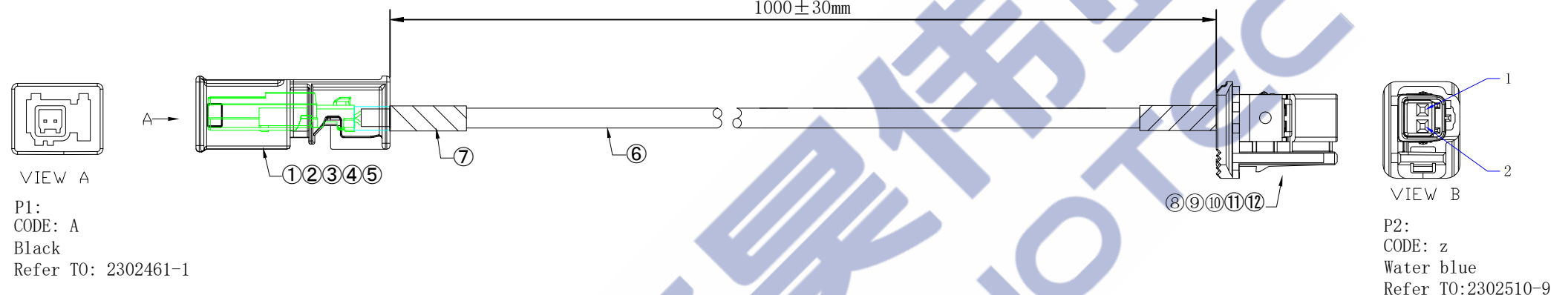




Product NO.		104-12-10009-100		
REV	DESCRIPTION	DWN	DATE	APPROVEN
R1.0	FIRST ISSUE	YYX	2024.08.14	Gavin



PIN OUT	
P1:	P2:
WIRE COLOR	WIRE COLOR
1 — WHITE	1
2 — GREEN	2
Shell	Shell

- Note:
1. Mark "@" indicates key inspection dimensions
 2. The product must be subject to 100% electrical test. Test conditions:
 - 2.1 open circuit and short circuit;
 - 2.2 insulation impedance: 100M Ω min;
 - 2.3 conduction impedance: 5 Ω max;
 - 2.4 high voltage test: 500V / DC 0.1s;
 3. Product service temperature: - 40°C ~ + 221 °C

NO	PART NAME	DESCRIPTION	QTY
12	FEMALE PIN	TE 1-1703930-1, NANOMQS, RECEPTACLE TERMINAL, 26-25AWG	2PCS
11	SHIELD SHELL BARREL	TE 2141360-2, HANDHOLD, CRIMP BUSHING, SHIELD SHELL BARREL	1PCS
10	FIXATION ELEMENT	TE 2302452-3, MATENET, FIXATION ELEMENT	1PCS
9	INSULATOR	TE 2302450-1, MATENET, FEMALE INSERT MODUL, BLACK	1PCS
8	SHELL	TE 2302510-9, FEMALE, Z CODE, COLOR: WATER BLUE	1PCS
7	Heat-shrinkable tube	Black, L=REF30mm	1PCS
6	Cable	7 * 0.154 26 * 2C+AB OD: 3.7mm jacket: PVC black Text content: GG 2Speed (R) core wire gauge: 26AWG	1PCS
5	Shield ring	Refer TO:2302461-1	1PCS
4	Pin	Refer TO:2302461-1, Brass, Tinned	2PCS
3	Shell	Refer TO:2302461-1, A Code, Color: Black	1PCS
2	Metal iron shell		1PCS
1	Insulator	Refer TO:2302461-1, Color: Black	1PCS

-TOLERANCES- UNLESS OTHERWISE SPECIFIED	RENHOTEC GROUP				
			PART DESCRIPTION: 2302510-9 female to 2302461-1 male for cable , 1M		
	Appd: Gavin		P/N: 104-12-10009-100		
UNLESS OTHERWISE SPECIFIED TOLERANCES FOR MILLIMETERS ARE:		Check:	Date: 2024.08.14	Scale: Free	Unit: MM
0.5 - 8mm ± 0.20mm 8 - 30mm ± 0.25mm 30 - 120mm ± 0.30mm		Draw: YYX		Type: Z	Page: 1/1