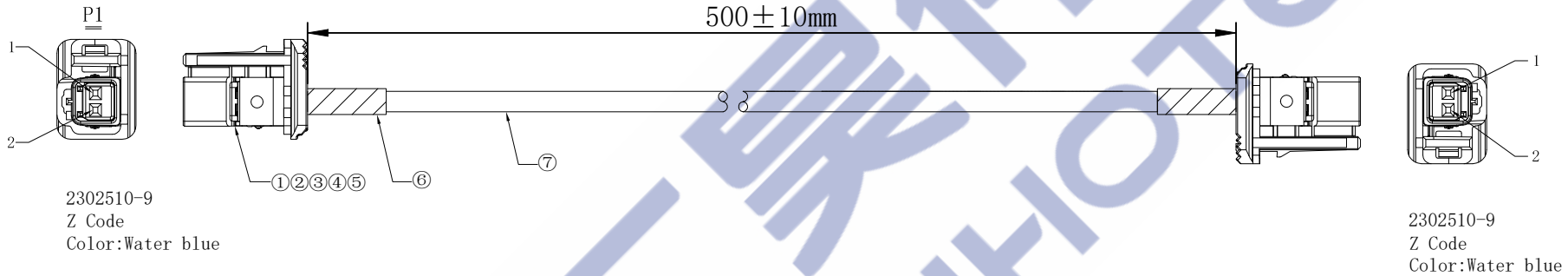




Product NO.		104-12-10013-050		
REV	DESCRIPTION	DWN	DATE	APPROVEN
R1.0	FIRST ISSUE	YYX	2024.08.13	Gavin



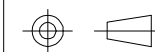
Test Conditions:
 1. 100% conduction, no short circuit, open circuit, instantaneous interruption and dislocation phenomenon;
 2. Test voltage: DC 300V;
 3. Insulation resistance: 10M Ω;
 4. On-resistance: 2 Ω;

7	CABLE	0.14mm ² - LEONI Dacar 522 or 647-4 or similar cable on agreement, STP	2PCS
6	HEAT SHRINK TUBING	BLACK	2PCS
5	FEMALE PIN	TE 1-1703930-1, NANOMQS, RECEPTACLE TERMINAL, 26-25AWG	4PCS
4	SHIELD SHELL BARREL	TE 2141360-2, HANDHOLD, CRIMP BUSHING, SHIELD SHELL BARREL	2PCS
3	FIXATION ELEMENT	TE 2302452-3, MATENET, FIXATION ELEMENT	2PCS
2	INSULATOR	TE 2302450-1, MATENET, FEMALE INSERT MODUL, BLACK	2PCS
1	SHELL	TE 2302510-9, FEMALE, Z CODE, COLOR:WATER BLUE	2PCS
NO	PartName	Specifications	Q' ty

-TOLERANCES- UNLESS OTHERWISE SPECIFIED
UNLESS OTHERWISE SPECIFIED TOLERANCES FOR MILLIMETERS ARE: 0.5 - 8mm ± 0.20mm 8 - 30mm ± 0.25mm 30 - 120mm ± 0.30mm



RENHOTEC GROUP



Appd: Gavin	PART DESCRIPTION: 2302510-9 female TO 2302510-9 female FOR CABLE				
Check:	P/N: 104-12-10013-050				
Draw: YYX	Date	Scale	Unit	Type	Page
	2024.08.13	Free	MM	Z	1/1