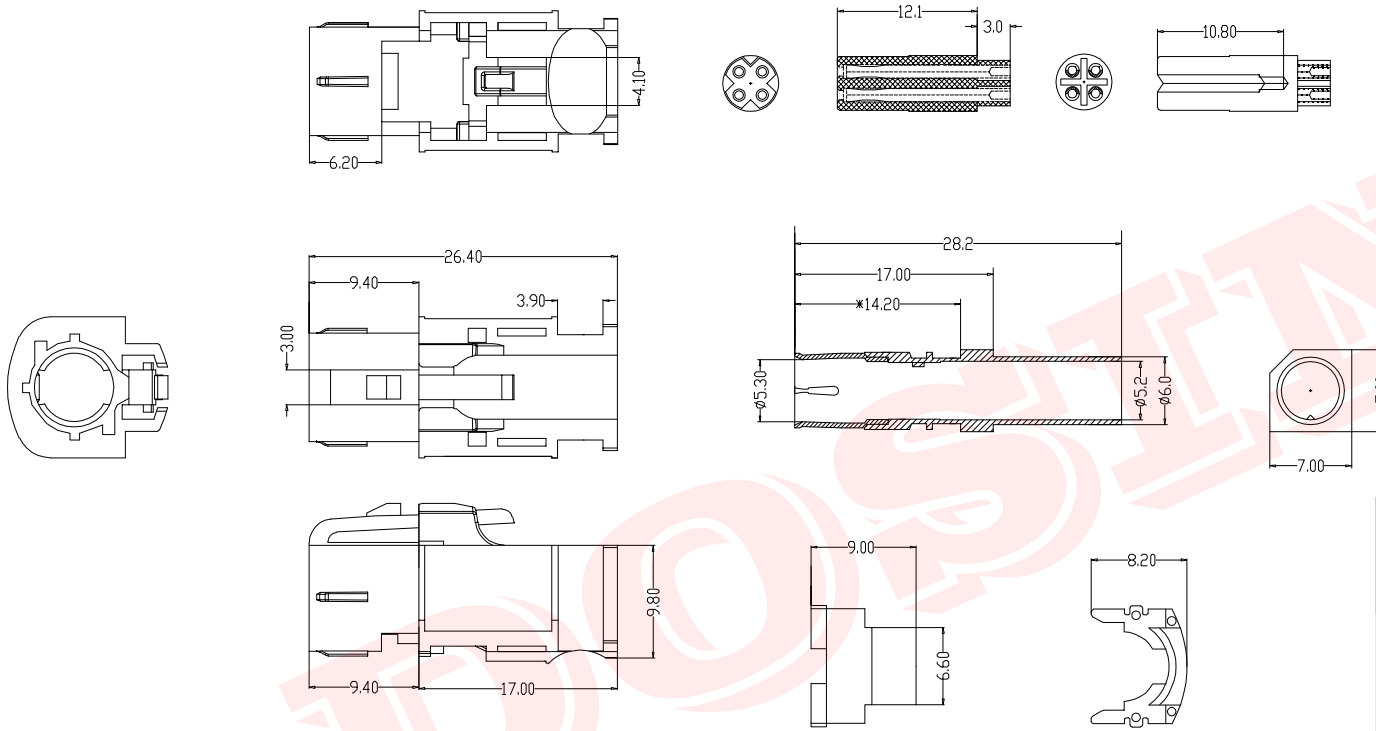




Product NO.		DOSIN-877-2001		
REV	DESCRIPTION	DWN	DATE	APPROVEN
A	First issue	Gavin	2022/03/25	John kine



Coding	Graphics	Colour	Coding	Graphics	Colour
A		Jet Black	G		Blue Gray
B		Cream	H		Heather Violet
C		Signal Blue	J		Beige
D		Clart Violet	K		Curry
E		Leaf Green	L		Carmine Red
F		Nut Brown	M		Pastel Orange
Z		Water Blue	O		Pastel Green

1	Shell	P. A	Blue	1
2	Body	Brass	Nickel	1
3	Insulator	Ptfe	None	1
4	Center pin	Brass	Gold	4
5	Snap cover	P. A		1
6				
7				
8				
9				
10				
NO	Component Number	Material	Finish	QTY
	A	B	C	

NOTE:	Tolerance	UNLESS OTHERWISE SPECIFIED TOLERANCES FOR MILLIMETERS ARE: 0.5 - 8mm ± 0.20mm 8 - 30mm ± 0.25mm 30 - 120mm ± 0.30mm		
DRAWN Gavin			View	
CHECKED			UNIT	MM
APPROVALS John kine	SCALE	1:1		

		Dosin Industrial (H.K) Co. Ltd 东莞市德索五金电子制品有限公司 Dosin Hardware Electronics Co., Ltd		dosin2005@dosin-china.com Web: http://www.china-guan.com TEL: (0086) 769-81153906 FAX: (0086) 769-81875836	
Name: HSD C Code Female Connector					
SIZE	Product NO.	DOSIN-877-2001		REV	A
A					
DateTime	2022/08/26	CAD FILE	D/company drawings/BD		SHEET: 1 OF 1
E		F		G	