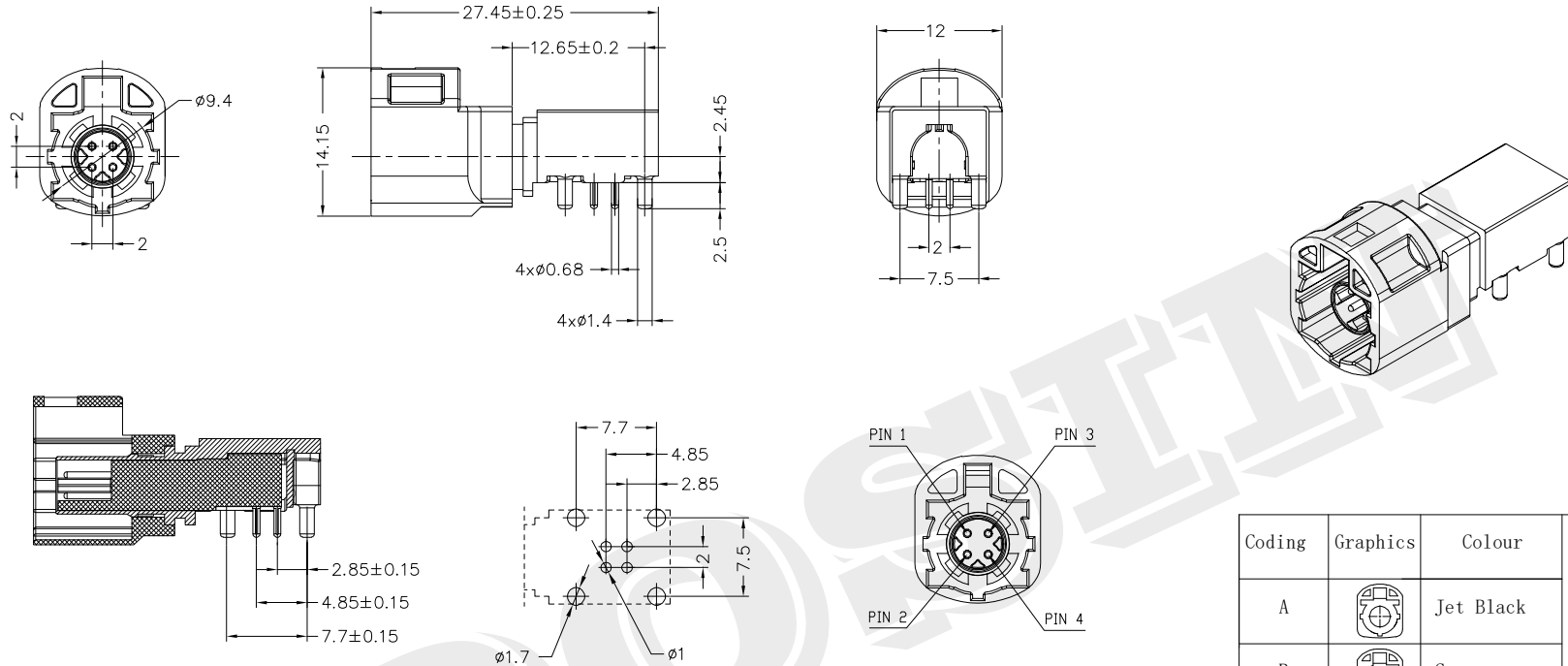




Product NO.		DOSIN-877-2020		
REV	DESCRIPTION	DWN	DATE	APPROVEN
R1.0	First issue	Gavin	2022/03/29	JIM. KING
R2.0	Change in connector appearance size	Gavin	2024/03/12	JIM. KING



Electrical performance:

- 1.1 characteristic impedance: 100 Ω
- 1.2 Insulation resistance: 100M Ω min
- 1.3 Voltage withstand: 250V AC
- 1.4 Contact resistance: Inner conductor 10mΩ Max
Outer conductor 7.5mΩ Max
- 1.5 Frequency: 0-2GHz

2. Mechanical properties:

- 2.1 Insertion and removal durability: ≥ 25 times
- 2.2 Working temperature: -40 °C~105 °C
- 2.3 Axial pull-out force: ≥ 110N

3. Meet environmental RoHS requirements

Coding	Graphics	Colour	Coding	Graphics	Colour
A		Jet Black	G		Blue Gray
B		Cream	H		Heather Violet
C		Signal Blue	J		Beige
D		Clart Violet	K		Curry
E		Leaf Green	L		Carmine Red
F		Nut Brown	M		Pastel Orange
Z		Water Blue	O		Pastel Green

NO	Description	Material	Finish	QTY
1	Shell	PA66		1
2	Body	Zinc alloy/copper	Nickel	1
3	Insulator	Ptfe	None	1
4	Center pin	Brass	Gold	4
5				

NOTE:	Tolerance	0.5 - 8mm ± 0.20mm 8 - 30mm ± 0.25mm 30 - 120mm ± 0.30mm	东莞市德索精密工业有限公司 Dongguan Dosin Precision Industry Co.,Ltd
	DRAWN Gavin	View	
CHECKED	UNIT	MM	SIZE A Product NO. DOSIN-877-2020 REV B
APPROVALS John kine	SCALE	1:1	DateTime 2024/03/12 CAD FILE D/company drawings/BD SHEET: 1 OF 1