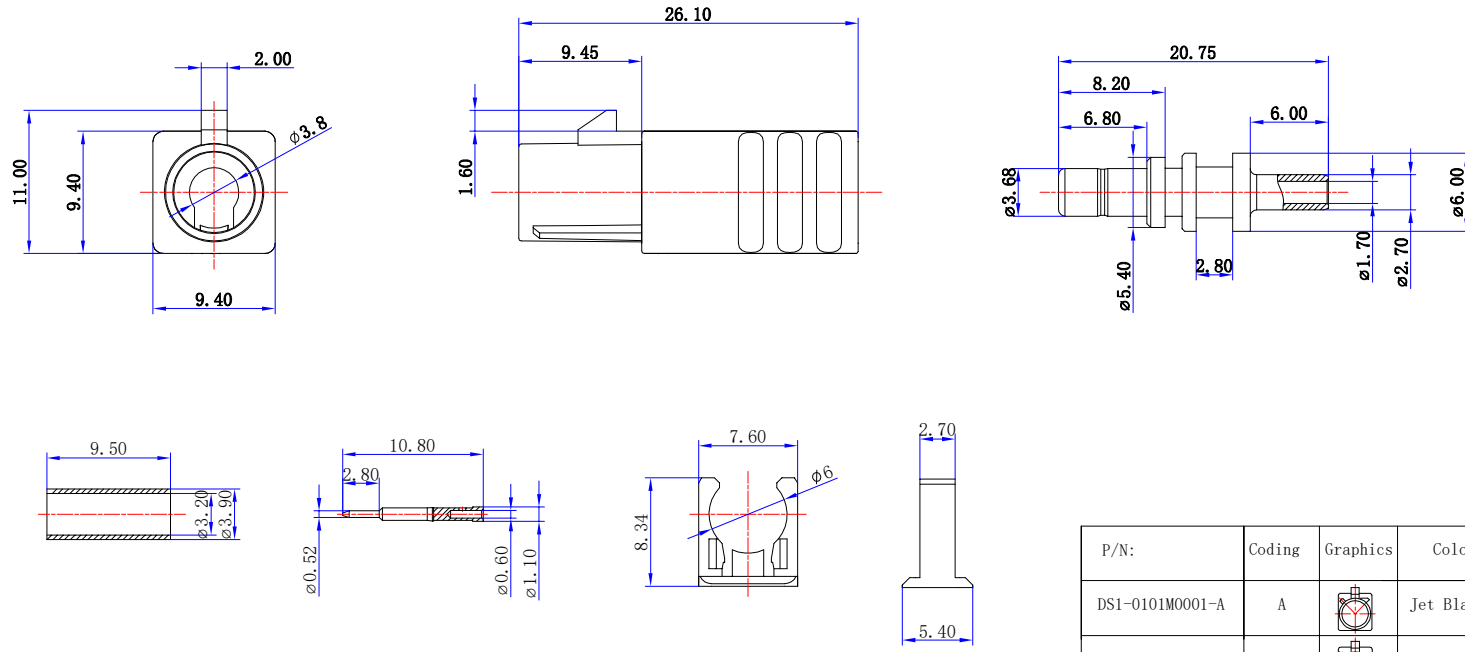




Product NO.		DS1-0114M0001-A		
REV	DESCRIPTION	DWN	DATE	APPROVEN
A	First issue	Gavin	2023/03/25	John kine



Specifications:  
 IMPEDANCE: 50 Ohms  
 Frequency range: 0~6GHZ  
 VSWR: 1.5MAX  
 Working voltage: 335V rms @ sea level  
 Insulation resistance: 1000 MOhms min  
 Temperature range: -55°C TO +155°C

P/N:	Coding	Graphics	Colour
DS1-0101M0001-A	A		Jet Black
DS1-0102M0001-A	B		White
DS1-0103M0001-A	C		Signal Blue
DS1-0104M0001-A	D		Clart Violet
DS1-0105M0001-A	E		Leaf Green
DS1-0106M0001-A	F		Nut Brown
DS1-0114M0001-A	Z		Water Blue

P/N:	Coding	Graphics	Colour
DS1-0107M0001-A	G		Blue Gray
DS1-0108M0001-A	H		Heather Violet
DS1-0109M0001-A	I		Beige
DS1-0110M0001-A	K		Curry
DS1-0111M0001-A	L		Carmine Red
DS1-0112M0001-A	M		Pastel Orange
DS1-0113M0001-A	O		Pastel Green

NO	Description	Material	Finish	QTY
1	Metal components	Brass	Nickel	1
2	Shell	PBT+15%GF		1
3	Center pin	Brass	Gold	1
4	Copper pipe	Brass	Nickel	1
5	Plastic insert	PBT+15%GF	Purple	1

NOTE:

Tolerance: 0.5 - 8mm ± 0.15mm  
 8 - 30mm ± 0.20mm  
 30 - 120mm ± 0.25mm

DRAWN: Gavin

CHECKED: John kine

APPROVALS: John kine

UNIT: MM

SCALE: 1:1

dosinconn  
 东莞市德索精密工业有限公司  
 dongguan dosin precision industry co., ltd

Name: FAKAR MALE FOR RG174/1.5DS CABLE

SIZE: A

Product NO.: DS1-0114M0001-A

DateTime: 2023/03/25

CAD FILE: D/company drawings/BD

SHEET: 1 OF 1