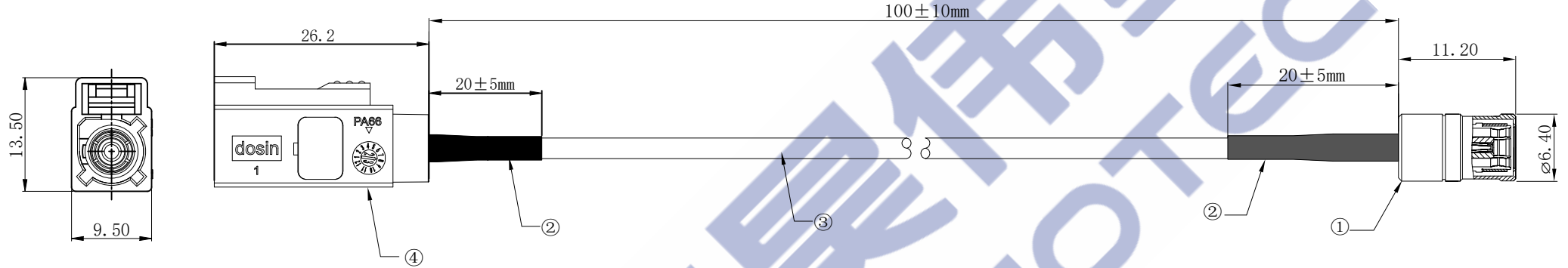




Product NO.			EB-101-0253		
REV	DESCRIPTION	DWN	DATE	APPROVEN	
R1.0	FIRST ISSUE	YYX	2024.08.03	Gavin	



Fakra Plug
Z Code
Water Blue

Specifications:

Impedance: 50 Ohms
Frequency Range: DC~3G
VSWR: 1.5MAX
Working Voltage: 335V rms sea level
Temperature Range: -20°C To +80°C

NO	PART NAME	P/N	DESCRIPTION	QTY
4	Fakra JACK	DS1-0114F0001-A	Brass , Nickel plating	1
3	CABLE	CA-101-0253	RG174, Jacket:PVC BLACK OD:2.8±0.1mm	1
2	HOT SHRINK TUBE	9-010302001	Black L=20mm	2
1	R/A SMB PLUG	DOSIN-807-0021	Brass ,Gold plated	1

<p>-TOLERANCES- UNLESS OTHERWISE SPECIFIED</p> <p>UNLESS OTHERWISE SPECIFIED TOLE RANCES FOR MILLIMETERS ARE:</p> <p>0.5 - 8mm ± 0.20mm 8 - 30mm ± 0.25mm 30 -120mm ± 0.30mm</p>	<p>RENHOTEC GROUP</p>				
	<p>PART DESCRIPTION: Fakra K code Female to SMB PLUG FOR RG174 cable, 10cm, 50 Ω</p>				
Appd: Gavin	P/N: EB-101-0253				
Check:	Date	Scale	Unit	Type	Page
Draw: YYX	2024.08.03	Free	MM	Z	1/1