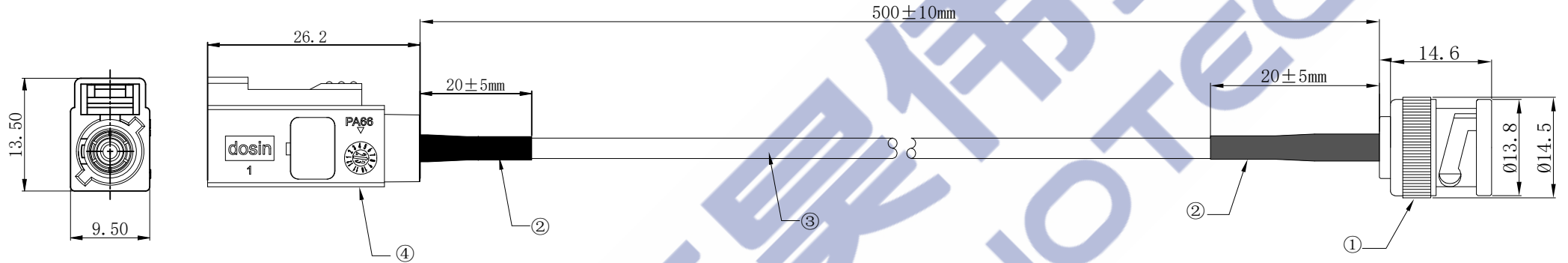




Product NO.		EB-101-0612		
REV	DESCRIPTION	DWN	DATE	APPROVEN
R1.0	FIRST ISSUE	YYX	2024.08.03	Gavin



Fakra Plug
C Code
Blue

Specifications:

Impedance: 50 Ohms
 Frequency Range: DC~6G
 VSWR: 1.5MAX
 Working Voltage: 335V rms sea level
 Temperature Range: -40°C To +105°C

-TOLERANCES- UNLESS OTHERWISE SPECIFIED UNLESS OTHERWISE SPECIFIED TOLERANCES FOR MILLIMETERS ARE: 0.5 - 8mm ± 0.20mm 8 - 30mm ± 0.25mm 30 - 120mm ± 0.30mm	RENHOTEC GROUP		PART DESCRIPTION: Fakra C CODE Female to BNC PLUG FOR RG316 cable, 50cm, 50 Ω			
	Appd: Gavin	P/N: EB-101-0612				
Check:	Date: 2024.08.03	Scale: Free	Unit: MM	Type: Z	Page: 1/1	
Draw: YYX						

NO	PART NAME	P/N	DESCRIPTION	QTY
4	Fakra JACK	DS1-0103F0001-A	Brass , Nickel plating	1
3	CABLE	CA-101-0612	RG316, Jacket:FEP Brown OD:2.5±0.1mm	1
2	HOT SHRINK TUBE	9-010302001	Black L=20mm	2
1	BNC PLUG	RHT-610-1117	Brass , Nickel plating	1