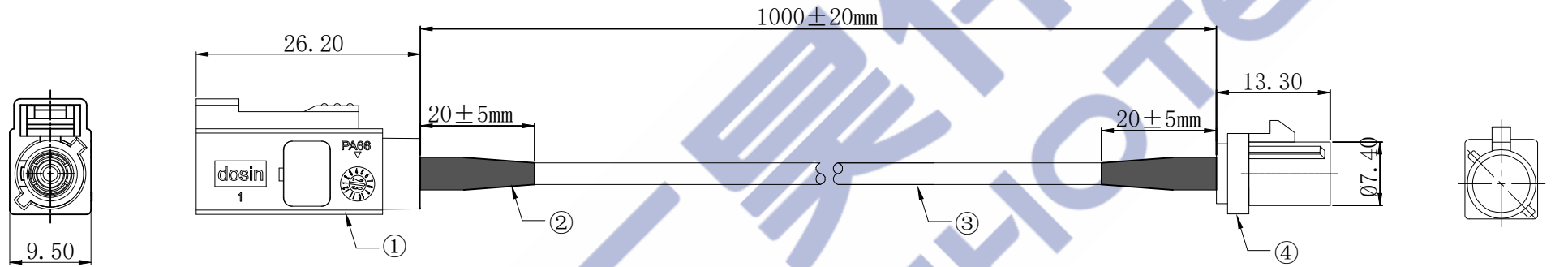




Product NO.		RHT-605-6185		
REV	DESCRIPTION	DWN	DATE	APPROVEN
R1.0	FIRST ISSUE	YYX	2024.08.05	Gavin



Fakra JACK
C Code
Blue

Fakra Plug
C Code
Blue

Specifications:

Impedance:50 Ohms
Frequency Range:DC~3G
VSWR:1.5MAX
Working Voltage:335V rms sea levelInsulation
Temperature Range:-20°C To +80°C

-TOLERANCES-
UNLESS OTHERWISE
SPECIFIED



RENHOTEC GROUP

UNLESS OTHERWISE SPECIFIED
TOLE RANCES FOR MILLIMETERS
ARE:
0.5 - 8mm ± 0.20mm
8 - 30mm ± 0.25mm
30 -120mm ± 0.30mm

	PART DESCRIPTION: Fakra C code male to Fakra C code Female for RG174 cable, 1M, 50Ω				
	Appd: Gavin	P/N: RHT-605-6185			
Check:	Date	Scale	Unit	Type	Page
Draw: YYX	2024.08.05	Free	MM	Z	1/1

4	Fakra PLUG	DOSIN-877-2005	Brass , Nickel plating	1
3	CABLE	CA-605-6185	RG174, Jacket:PVC BLACK OD:2.8±0.1mm	1
2	HOT SHRINK TUBE	9-010302001	Black L=20mm	2
1	Fakra JACK	DS1-0103F0001-A	Brass , Nickel plating	1
NO	PART NAME	P/N	DESCRIPTION	QTY