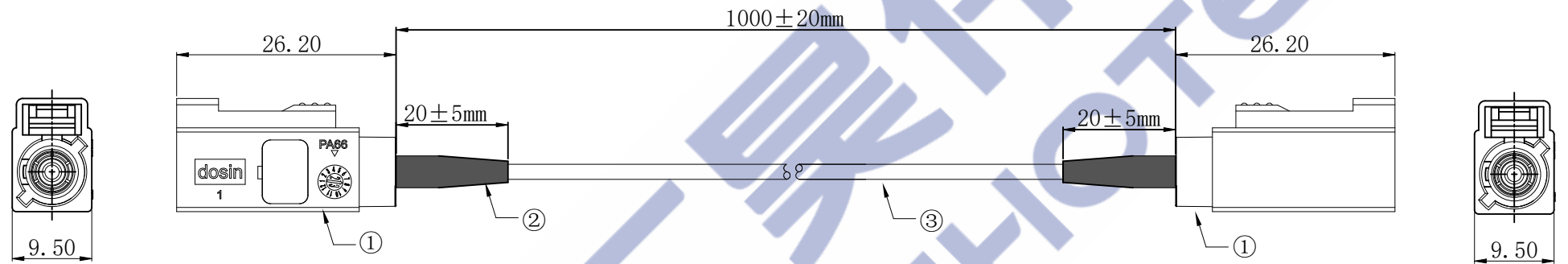




Product NO.		RHT-605-6193		
REV	DESCRIPTION	DWN	DATE	APPROVEN
R1.0	FIRST ISSUE	YYX	2024.08.05	Gavin



Fakra JACK
C Code
Blue

Fakra JACK
C Code
Blue

Specifications:

Impedance:50 Ohms
 Frequency Range:DC~3G
 VSWR:1.5MAX
 Working Voltage:335V rms sea level
 Temperature Range:-20°C To +80°C

3	CABLE	CA-605-6193	RG178, Jacket:FEP Brown OD:1.8±0.1mm	1
2	HOT SHRINK TUBE	9-010302004	Black L=20mm	2
1	Fakra JACK	DS1-0103F0001-A	Brass , Nickel plating	2
NO	PART NAME	P/N	DESCRIPTION	QTY

-TOLERANCES- UNLESS OTHERWISE SPECIFIED	RENHOTEC GROUP	
	PART DESCRIPTION: Fakra C code Female to Fakra C code Female for RG178 cable, 1M, 50Ω	
UNLESS OTHERWISE SPECIFIED TOLE RANCES FOR MILLIMETERS ARE:	Appd: Gavin	P/N: RHT-605-6193
0.5 - 8mm ± 0.20mm 8 - 30mm ± 0.25mm 30 -120mm ± 0.30mm	Check:	Date: 2024.08.05
	Draw: YYX	Scale: Free
		Unit: MM
		Type: Z
		Page: 1/1