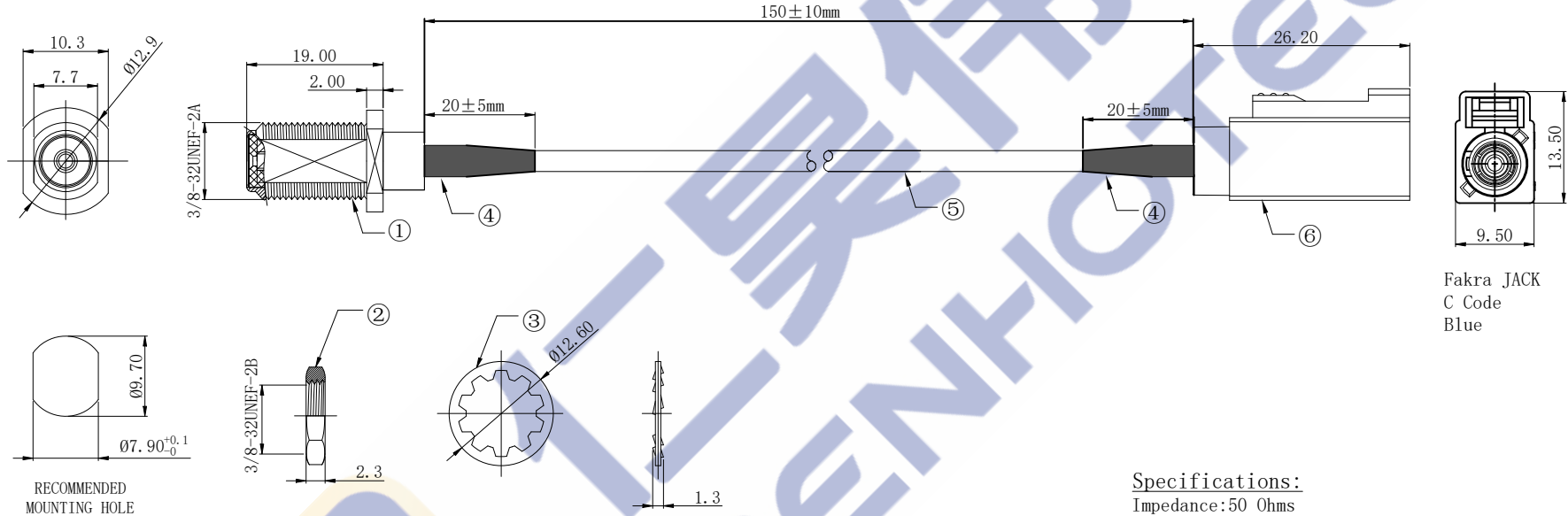




Product NO.		RHT-605-6194		
REV	DESCRIPTION	DWN	DATE	APPROVEN
R1.0	FIRST ISSUE	YYX	2024.08.05	Gavin



Fakra JACK
C Code
Blue

Specifications:

Impedance:50 Ohms
Frequency Range:DC~3G
VSWR:1.5MAX
Working Voltage:335V rms sea level
Insulation Temperature Range:-20°C To +80°C

6	Fakra JACK	DS1-0103F0001-A	Brass , Nickel plating	1
5	CABLE	CA-605-6194	RG178, Jacket:FEP Brown OD:1.8±0.1mm	1
4	HOT SHRINK TUBE	9-010302004	Black L=20mm	2
3	Grommet		Iron, Nickel plated	1
2	Nut		Brass, Nickel plated	1
1	F Jack		Brass, Nickel plated	1
NO	PART NAME	P/N	DESCRIPTION	QTY

-TOLERANCES-
UNLESS OTHERWISE
SPECIFIED

UNLESS OTHERWISE SPECIFIED
TOLERANCES FOR MILLIMETERS
ARE:
0.5 - 8mm ± 0.20mm
8 - 30mm ± 0.25mm
30 -120mm ± 0.30mm



RENHOTEC GROUP



PART DESCRIPTION: Fakra C code Female to F Female for RG178 cable,15CM, 50 Ω					
Appd: Gavin	P/N: RHT-605-6194				
Check:	Date	Scale	Unit	Type	Page
Draw: YYX	2024.08.05	Free	MM	Z	1/1