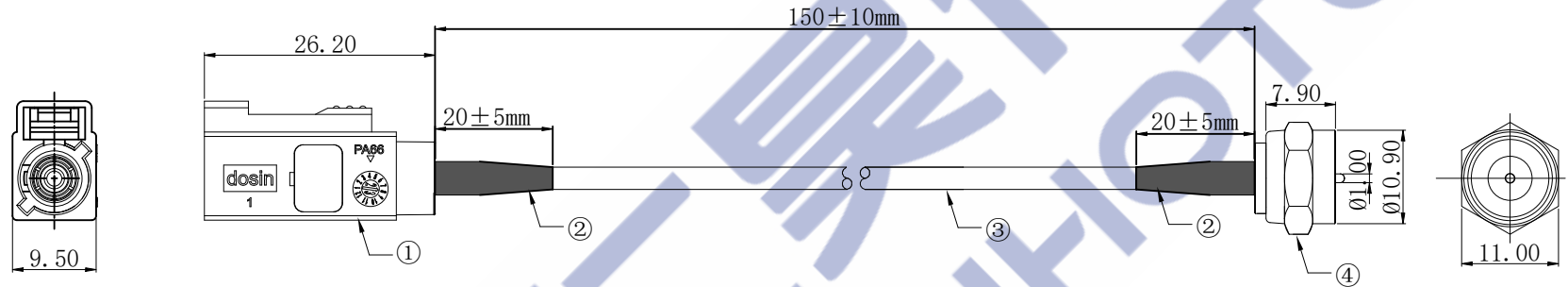




Product NO.		RHT-605-6195		
REV	DESCRIPTION	DWN	DATE	APPROVEN
R1.0	FIRST ISSUE	YYX	2024.08.05	Gavin



Fakra JACK  
C Code  
Blue

**Specifications:**

Impedance:50 Ohms  
Frequency Range:DC~3G  
VSWR:1.5MAX  
Working Voltage:335V rms sea level  
Temperature Range:-20°C To +80°C

4	F Plug		Brass , Nickel plating	1
3	CABLE	CA-605-6195	RG178, Jacket:FEP Brown OD:1.8±0.1mm	1
2	HOT SHRINK TUBE	9-010302004	Black L=20mm	2
1	Fakra JACK	DS1-0103F0001-A	Brass , Nickel plating	1
NO	PART NAME	P/N	DESCRIPTION	QTY

-TOLERANCES- UNLESS OTHERWISE SPECIFIED  UNLESS OTHERWISE SPECIFIED TOLERANCES FOR MILLIMETERS ARE: 0.5 - 8mm ± 0.20mm 8 - 30mm ± 0.25mm 30 -120mm ± 0.30mm	<b>RENHOTEC GROUP</b>		PART DESCRIPTION: Fakra C code Female to male for RG178 cable,15cm, 50Ω				
			Appd: Gavin	P/N: RHT-605-6195			
	Check:	Date	Scale	Unit	Type	Page	
	Draw: YYX	2024.08.05	Free	MM	Z	1/1	