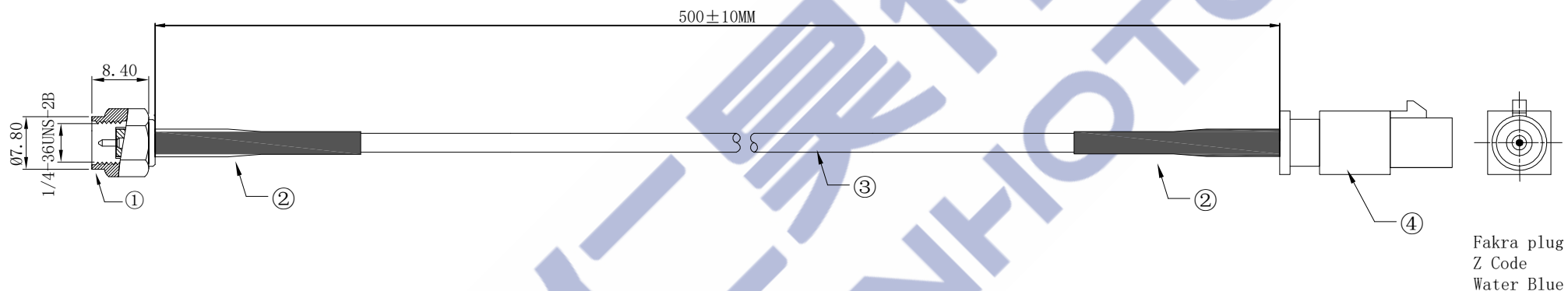




Product NO.		RHT-605-6207		
REV	DESCRIPTION	DWN	DATE	APPROVEN
R1.0	FIRST ISSUE	YYX	2024.08.06	Gavin



Specifications:

Impedance: 50 Ohms
 Frequency Range: DC~3G
 VSWR: 1.5MAX
 Working Voltage: 335V rms sea level
 Temperature Range: -20°C To +80°C

4	Fakra Male		Brass , Nickel plating	1
3	CABLE	CA-605-6207	RG174, Jacket:PVC Black, OD:2.8±0.1mm	1
2	HOT SHRINK TUBE	9-010302001	Black L=20mm	2
1	SMA Plug	RHT-612-0647	Brass , Gold Plating	1
NO	PART NAME	P/N	DESCRIPTION	QTY

-TOLERANCES- UNLESS OTHERWISE SPECIFIED UNLESS OTHERWISE SPECIFIED TOLERANCES FOR MILLIMETERS ARE: 0.5 - 8mm ± 0.20mm 8 - 30mm ± 0.25mm 30 - 120mm ± 0.30mm			RENHOTEC GROUP PART DESCRIPTION: SMA Plug to Fakra Z code Plug for RG174 cable, 50cm, 50 Ω			
	Appd: Gavin Check: Draw: YYX	P/N: RHT-605-6207 Date: 2024.08.06 Scale: Free Unit: MM Type: Z Page: 1/1				