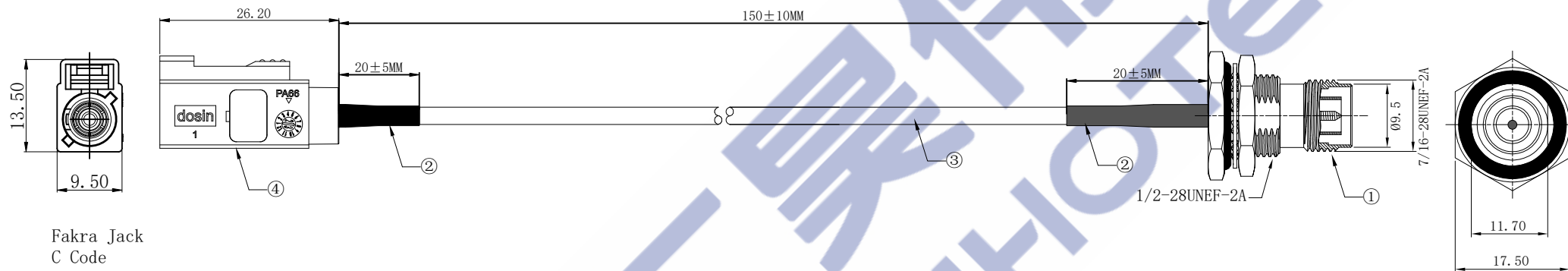




Product NO.		RHT-605-6328		
REV	DESCRIPTION	DWN	DATE	APPROVEN
R1.0	FIRST ISSUE	YYX	2023.08.06	Gavin



Fakra Jack
C Code
Blue

Specifications:

Impedance:50 Ohms
Frequency Range:DC~3G
VSWR:1.5MAX
Working Voltage:335V rms sea level
Temperature Range:-20°C To +80°C

4	Fakra Jack	DS1-0103F0001-A	Brass , Nickel plating	1
3	CABLE	CA-605-6328	RG174, Jacket:PVC OD:2.8±0.1mm	1
2	HOT SHRINK TUBE	9-010302001	Black L=20mm	2
1	RP SMA Jack		Brass, Nickel plated	1
NO	PART NAME	P/N	DESCRIPTION	QTY

-TOLERANCES-
UNLESS OTHERWISE
SPECIFIED



RENHOTEC GROUP

UNLESS OTHERWISE SPECIFIED
TOLERANCES FOR MILLIMETERS
ARE:
0.5 - 8mm ± 0.20mm
8 - 30mm ± 0.25mm
30 - 120mm ± 0.30mm

 Appd: Gavin Check: Draw: YYX	PART DESCRIPTION: SMA PLUG to Fakra JACK C code FOR RG174 cable 15cm, 50Ω				
	P/N: RHT-605-6328				
	Date	Scale	Unit	Type	Page
	2024.08.06	Free	MM	Z	1/1