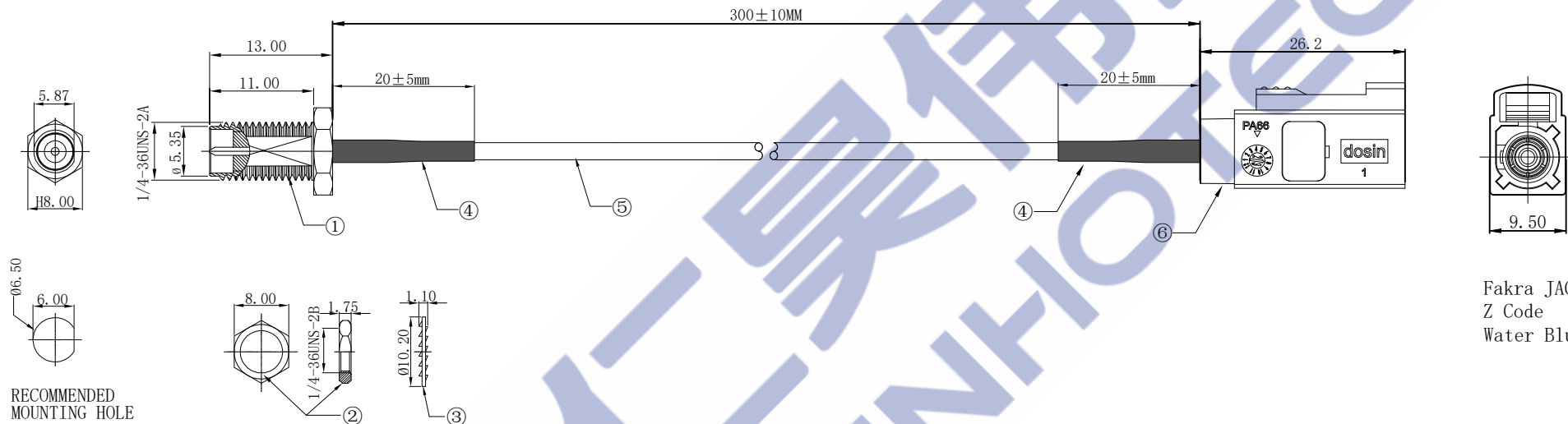




Product NO.		RHT-605-6357		
REV	DESCRIPTION	DWN	DATE	APPROVEN
R1.0	FIRST ISSUE	YYX	2024.08.03	Gavin



RECOMMENDED MOUNTING HOLE

Fakra JACK
Z Code
Water Blue

Specifications:

Impedance:50 Ohms
Frequency Range:DC~6G
VSWR:1.5MAX
Working Voltage:335V rms sea level
Temperature Range:-40To +105°C

-TOLERANCES-
UNLESS OTHERWISE
SPECIFIED



RENHOTEC GROUP

UNLESS OTHERWISE SPECIFIED
TOLERANCES FOR MILLIMETERS
ARE:
0.5 - 8mm ± 0.20mm
8 - 30mm ± 0.25mm
30 - 120mm ± 0.30mm

PART DESCRIPTION:Fakra Z code JACK to RP SMA JACK FOR RG316 cable,30cm, 50Ω					
Appd: Gavin	P/N: RHT-605-6357				
Check:	Date	Scale	Unit	Type	Page
Draw: YYX	2024.08.03	Free	MM	Z	1/1

6	Fakra JACK	DS1-0114F0001-A	Brass , Nickel plating	1
5	Cable	CA-605-6357	RG316, Jacket:FEP Brown, OD:2.5±0.1mm	1
4	Heat shrink tubing	9-010302001	Black, L=20mm	2
3	Washer		Iron, Gold Plating	1
2	Nut		Brass, Gold Plating	1
1	RP SMA Jack		Brass, Gold Plating	1
NO	PART NAME	P/N	DESCRIPTION	QTY