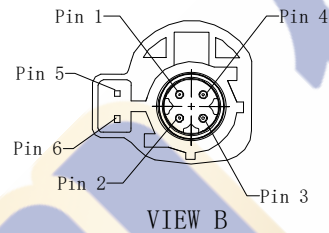
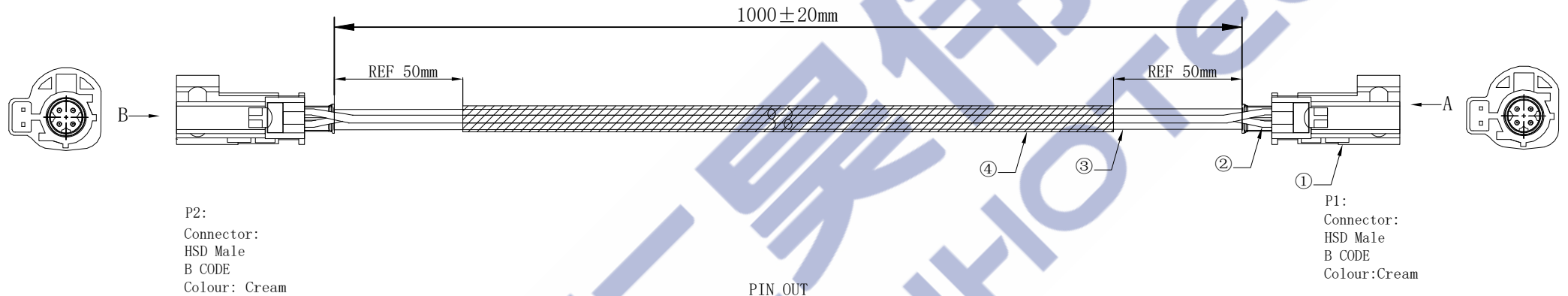
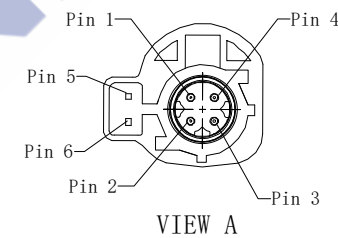


Product NO.			RHT-605-6384		
REV	DESCRIPTION	DWN	DATE	APPROVEN	
R1.0	FIRST ISSUE	YYX	2024.08.07	Gavin	



P1	Color	P2
Pin 1	Blue	Pin 4
Pin 2	Orange	Pin 3
Pin 3	Green	Pin 2
Pin 4	Brown	Pin 1
Shell	Gnd	Shell
Pin 5	Black	Pin 5
Pin 6	Red	Pin 6



4	Fire flannel	Black fire flannel	1
3	Cable	7/0.16TC*1.2*4C+AL+128/0.1TC, OD:4.6mm, Black	1
2	Wire	AWG22*2C, jacket:PVC(Red,Black), OD:1.6±0.2mm	1
1	Connector	HSD 4+2 FEMALE, B CODE, Colour: Cream	2
NO	PART NAME	DESCRIPTION	QTY

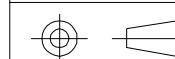
-TOLERANCES-
UNLESS OTHERWISE
SPECIFIED

UNLESS OTHERWISE SPECIFIED
TOLERANCES FOR MILLIMETERS
ARE:

0.5 - 8mm ± 0.20mm
8 - 30mm ± 0.25mm
30 - 120mm ± 0.30mm



RENHOTEC GROUP



Appd: Gavin
Check:
Draw: YYX

PART DESCRIPTION: HSD B Male to HSD B Male with Cable, 1m, LVDS cable, 50ohm

P/N: RHT-605-6384				
Date	Scale	Unit	Type	Page
2024.08.07	Free	MM	Z	1/1