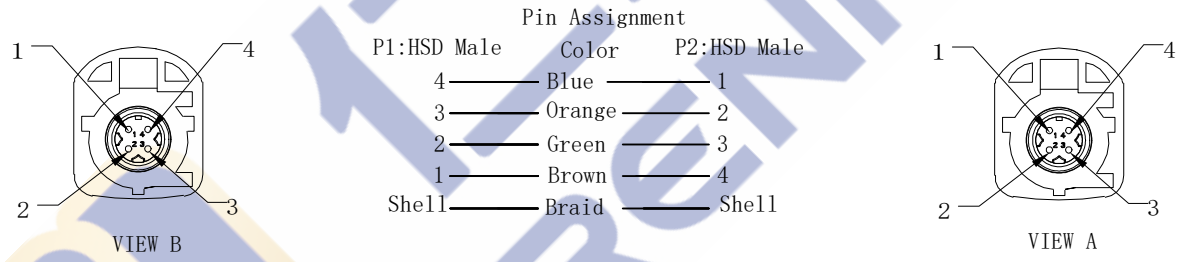
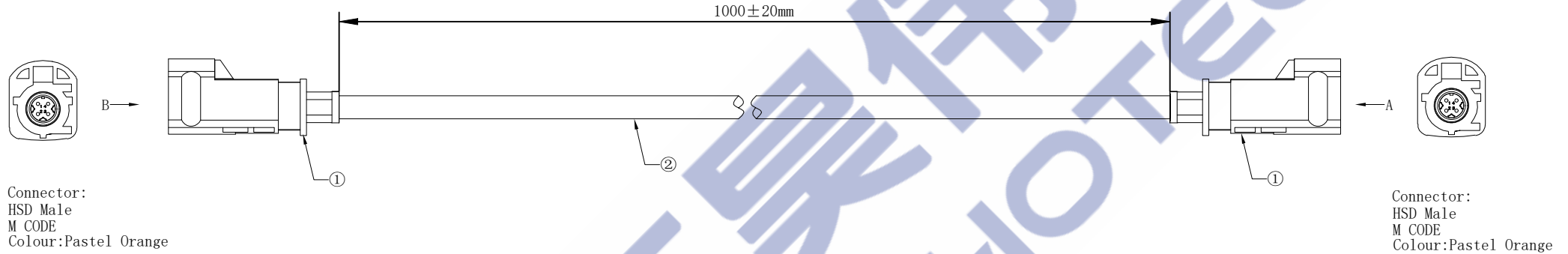


Product NO.		RHT-605-6391			
REV	DESCRIPTION	DWN	DATE	APPROVEN	
R1.0	FIRST ISSUE	YYX	2024.08.09	Gavin	



2	Cable	7/0.16TC*1.2*4C+MY+AL+128/0.1TC, OD:4.6mm, Black	1
1	Connector	HSD MALE, M CODE, Colour:Pastel Orange	2
NO	PART NAME	DESCRIPTION	QTY

<p>-TOLERANCES- UNLESS OTHERWISE SPECIFIED</p>					
<p>UNLESS OTHERWISE SPECIFIED TOLERANCES FOR MILLIMETERS ARE:</p> <p>0.5 - 8mm ± 0.20mm 8 - 30mm ± 0.25mm 30 - 120mm ± 0.30mm</p>			PART DESCRIPTION: HSD M Male to HSD M Male with Cable, 1m, LVDS cable, 50ohm		
	Appd: Gavin		P/N: RHT-605-6391		
	Check:	Date	Scale	Unit	Type
Draw: YYX	2024.08.09	Free	MM	Z	1/1