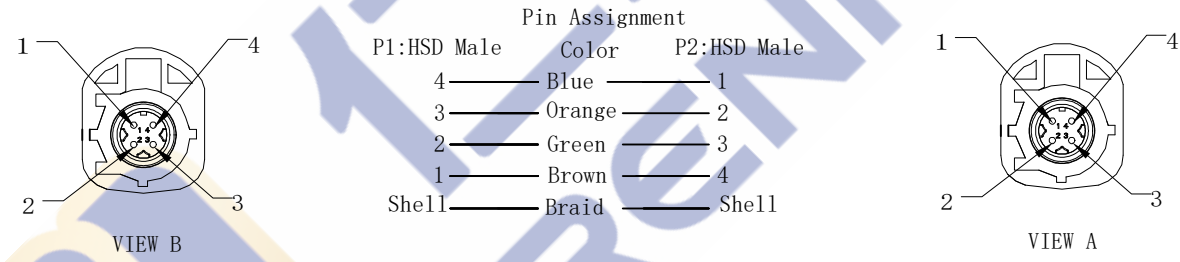
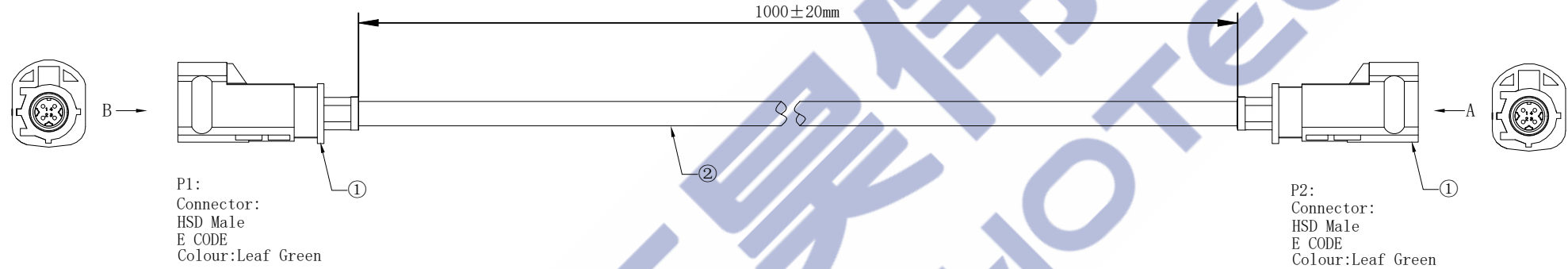


Product NO.		RHT-605-6393			
REV	DESCRIPTION	DWN	DATE	APPROVEN	
R1.0	FIRST ISSUE	YYX	2024.08.09	Gavin	



2	Cable	7/0.16TC*1.2*4C+MY+AL+128/0.1TC, OD:4.6mm, Black	1
1	Connector	HSD MALE, E CODE , Colour:Leaf Green	2
NO	PART NAME	DESCRIPTION	QTY

-TOLERANCES- UNLESS OTHERWISE SPECIFIED					
	PART DESCRIPTION: HSD E Male to HSD E Male with Cable ,1m, LVDS cable, 50ohm				
UNLESS OTHERWISE SPECIFIED TOLE RANCES FOR MILLIMETERS ARE: 0.5 - 8mm ± 0.20mm 8 - 30mm ± 0.25mm 30 -120mm ± 0.30mm	Appd: Gavin	P/N: RHT-605-6393			
	Check:	Date	Scale	Unit	Type
	Draw: YYX	2024.08.09	Free	MM	Z 1/1