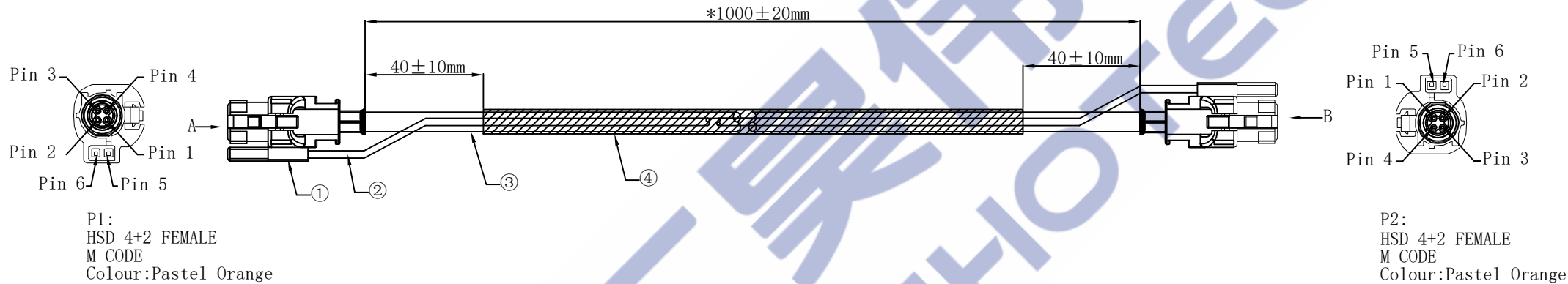
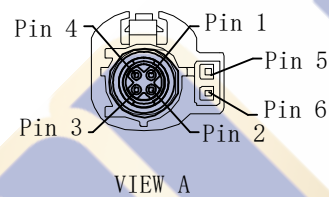


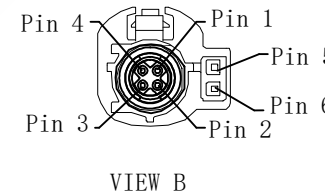
Product NO.			RHT-605-6395		
REV	DESCRIPTION	DWN	DATE	APPROVEN	
R1.0	FIRST ISSUE	YYX	2024.08.09	Gavin	



PIN OUT



P1	Color	P2
Pin 1	Blue	Pin 4
Pin 2	Orange	Pin 3
Pin 3	Green	Pin 2
Pin 4	Brown	Pin 1
Shell	Gnd	Shell
Pin 5	Black	Pin 5
Pin 6	Red	Pin 6



NO	PART NAME	DESCRIPTION	QTY
4	Fire flannel	Black fire flannel	1
3	Cable	7/0.16TC*1.2*4C+AL+128/0.1TC, OD:4.6mm, Black	1
2	Wire	AWG22*2C, jacket:PVC (Red,Black), OD:1.6±0.2mm	1
1	Connector	HSD 4+2 FEMALE, M CODE, Colour:Pastel Orange	2

-TOLERANCES-
UNLESS OTHERWISE
SPECIFIED

UNLESS OTHERWISE SPECIFIED
TOLERANCES FOR MILLIMETERS
ARE:

0.5 - 8mm ± 0.20mm
8 - 30mm ± 0.25mm
30 - 120mm ± 0.30mm



RENHOTEC GROUP

PART DESCRIPTION: HSD 4+2 M Female to HSD 4+2 M Male with Cable, 1m, LVDS cable, 50ohm	
Appd: Gavin	P/N: RHT-605-6395
Check:	Date: 2024.08.09
Draw: YYX	Scale: Free
	Unit: MM
	Type: Z
	Page: 1/1