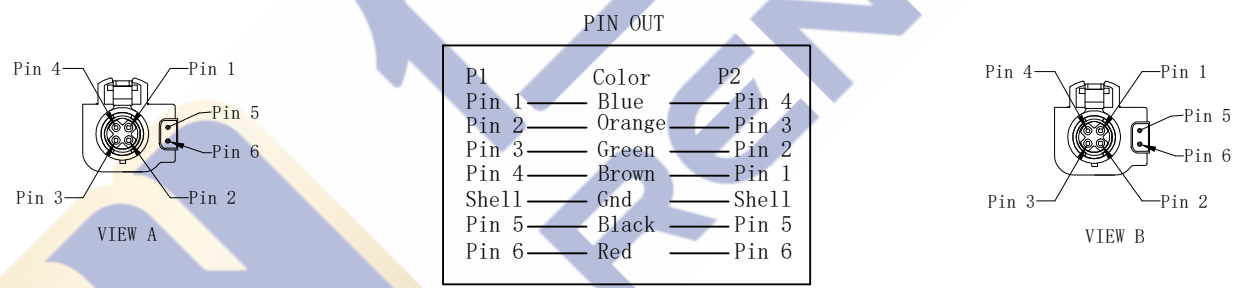
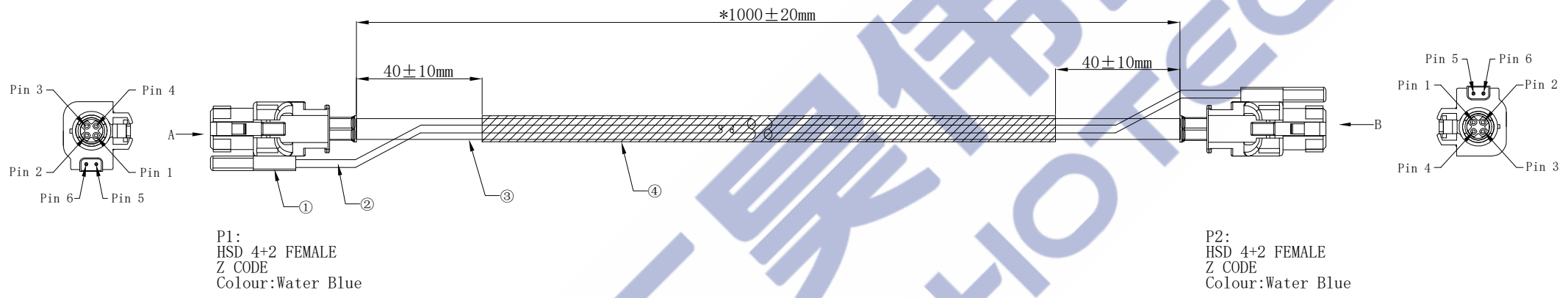


Product NO.			RHT-605-6396		
REV	DESCRIPTION	DWN	DATE	APPROVEN	
R1.0	FIRST ISSUE	YYX	2024.08.07	Gavin	



4	Fire flannel	Black fire flannel	1
3	Cable	7/0.16TC*1.2*4C+AL+128/0.1TC, OD:4.6mm, Black	1
2	Wire	AWG22*2C, jacket:PVC(Red,Black), OD:1.6±0.2mm	1
1	Connector	HSD 4+2 FEMALE, Z CODE, Colour:Water BLUE	2
NO	PART NAME	DESCRIPTION	QTY

-TOLERANCES- UNLESS OTHERWISE SPECIFIED	RENHOTEC GROUP				
	PART DESCRIPTION: HSD Z 4+2 Jack to HSD Z 4+2 Jack HSD Cable Assemblies ,1m, LVDS cable, 50ohm				
UNLESS OTHERWISE SPECIFIED TOLE RANCES FOR MILLIMETERS ARE: 0.5 - 8mm ± 0.20mm 8 - 30mm ± 0.25mm 30 -120mm ± 0.30mm	Appd: Gavin	P/N: RHT-605-6396			
	Check:	Date: 2024.08.07	Scale: Free	Unit: MM	Type: Z
Draw: YYX	Date: 2024.08.07	Scale: Free	Unit: MM	Type: Z	Page: 1/1