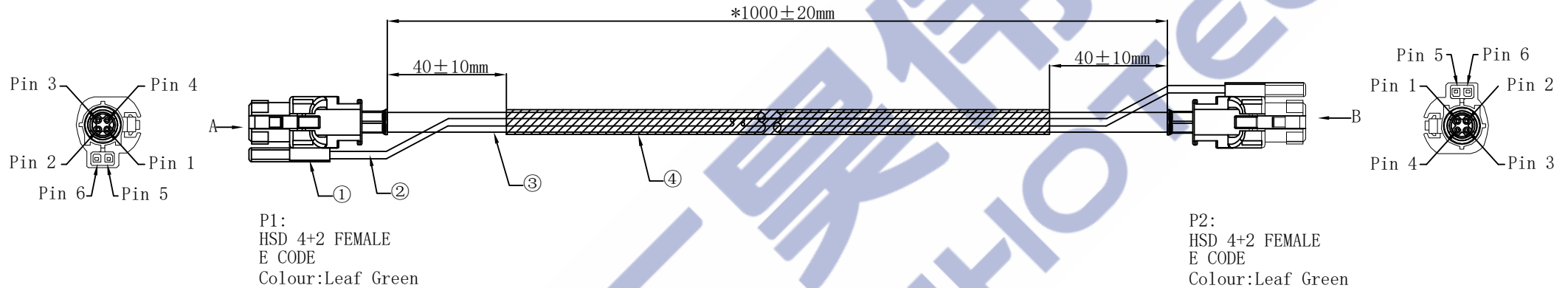
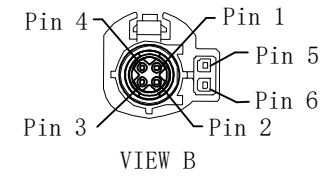
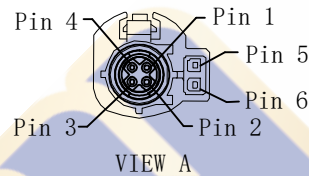


Product NO.			RHT-605-6397		
REV	DESCRIPTION	DWN	DATE	APPROVEN	
R1.0	FIRST ISSUE	YYX	2024.08.09	Gavin	



PIN OUT

P1	Color	P2
Pin 1	Blue	Pin 4
Pin 2	Orange	Pin 3
Pin 3	Green	Pin 2
Pin 4	Brown	Pin 1
Shell	Gnd	Shell
Pin 5	Black	Pin 5
Pin 6	Red	Pin 6



NO	PART NAME	DESCRIPTION	QTY
4	Fire flannel	Black fire flannel	1
3	Cable	7/0.16TC*1.2*4C+AL+128/0.1TC, OD:4.6mm, Black	1
2	Wire	AWG22*2C, jacket:PVC (Red,Black), OD:1.6±0.2mm	1
1	Connector	HSD 4+2 FEMALE,E CODE , Colour:Leaf Green	2

<p>-TOLERANCES- UNLESS OTHERWISE SPECIFIED</p> <p>UNLESS OTHERWISE SPECIFIED TOLE RANCES FOR MILLIMETERS ARE:</p> <p>0.5 - 8mm ± 0.20mm 8 - 30mm ± 0.25mm 30 -120mm ± 0.30mm</p>	<p>RENHOTEC GROUP</p>		<p>PART DESCRIPTION: HSD 4+2 E Female to HSD 4+2 E Female with Cable ,1m, LVDS cable,50ohm</p>				
	<p>Appd: Gavin</p>		<p>P/N: RHT-605-6397</p>				
	<p>Check:</p>		Date	Scale	Unit	Type	Page
	<p>Draw: YYX</p>		2024.08.09	Free	MM	Z	1/1