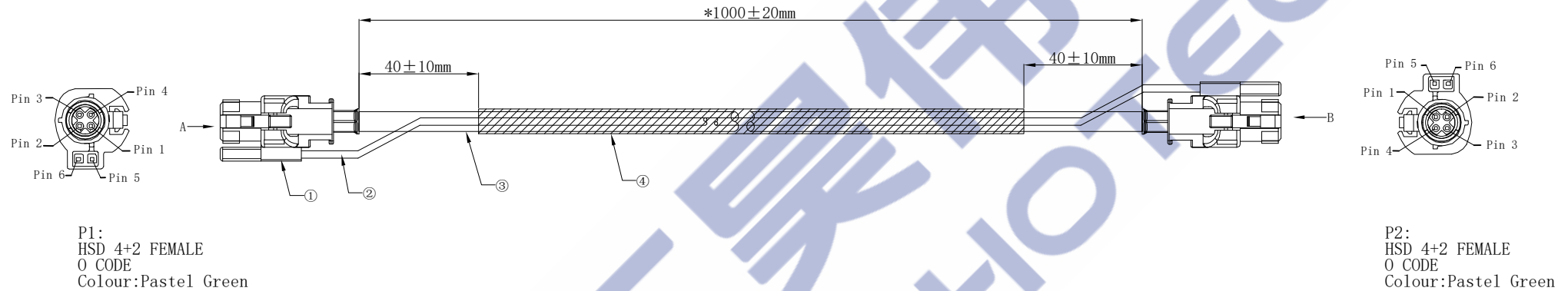


Product NO.		RHT-605-6398			
REV	DESCRIPTION	DWN	DATE	APPROVEN	
R1.0	FIRST ISSUE	YYX	2024.08.07	Gavin	



PIN OUT



4	Fire flannel	Black fire flannel	1
3	Cable	7/0.16TC*1.2*4C+AL+128/0.1TC, OD:4.6mm, Black	1
2	Wire	AWG22*2C, jacket:PVC(Red,Black), OD:1.6±0.2mm	1
1	Connector	HSD 4+2 FEMALE, O CODE, Colour:Pastel Green	2
NO	PART NAME	DESCRIPTION	QTY

-TOLERANCES-
UNLESS OTHERWISE SPECIFIED

UNLESS OTHERWISE SPECIFIED
TOLERANCES FOR MILLIMETERS
ARE:

Appd: Gavin	PART DESCRIPTION: HSD 0 Female to HSD 0 Female for LVDS cable, 1m, 50ohm				
	P/N: RHT-605-6398				
Check:	Date	Scale	Unit	Type	Page
Draw: YYX	2024.08.07	Free	MM	Z	1/1