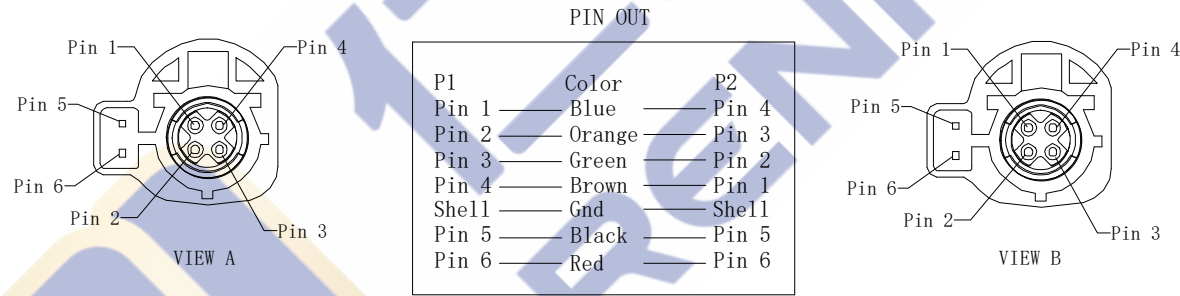
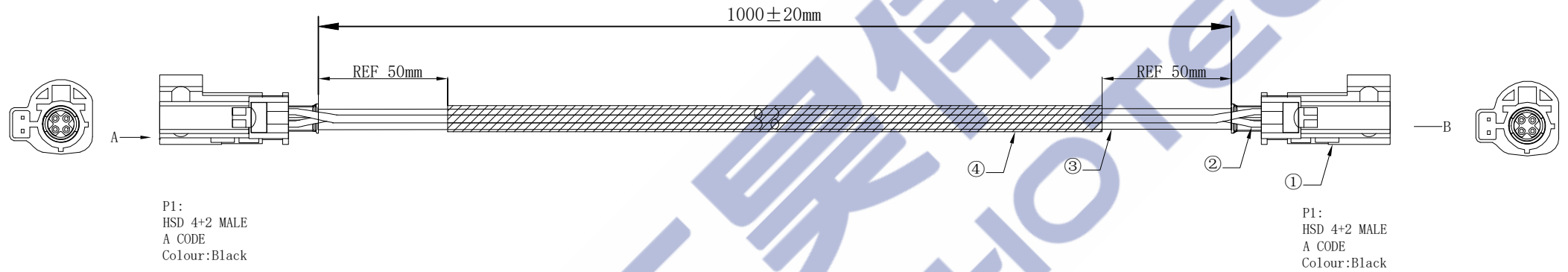


Product NO.				RHT-605-6415		
REV	DESCRIPTION	DWN	DATE	APPROVEN		
R1.0	FIRST ISSUE	YYX	2024.08.07	Gavin		



4	Fire flannel	Black fire flannel	1
3	Cable	7/0.16TC*1.2*4C+AL+128/0.1TC, OD:4.6mm, Black	1
2	Wire	AWG22*2C, jacket:PVC (Red, Black), OD:1.6 ± 0.2mm	1
1	Connector	HSD 4+2 MALE, A CODE, Colour:Black	2
NO	PART NAME	DESCRIPTION	QTY

<p align="center">-TOLERANCES- UNLESS OTHERWISE SPECIFIED</p>							
		<p>RENHOTEC GROUP</p>					
<p>UNLESS OTHERWISE SPECIFIED TOLERANCES FOR MILLIMETERS ARE:</p> <p>0.5 - 8mm ± 0.20mm 8 - 30mm ± 0.25mm 30 - 120mm ± 0.30mm</p>				<p>PART DESCRIPTION: HSD A male to HSD A male for LVDS cable, 1m, 50ohm</p>			
		<p>Appd: Gavin</p>	<p>P/N: RHT-605-6415</p>				
		<p>Check:</p>	<p>Date</p>	<p>Scale</p>	<p>Unit</p>	<p>Type</p>	<p>Page</p>
		<p>Draw: YYX</p>	<p>2024.08.07</p>	<p>Free</p>	<p>MM</p>	<p>Z</p>	<p>1/1</p>