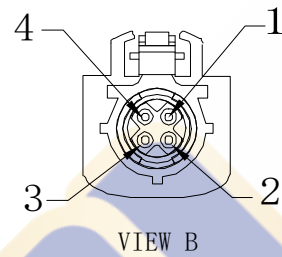
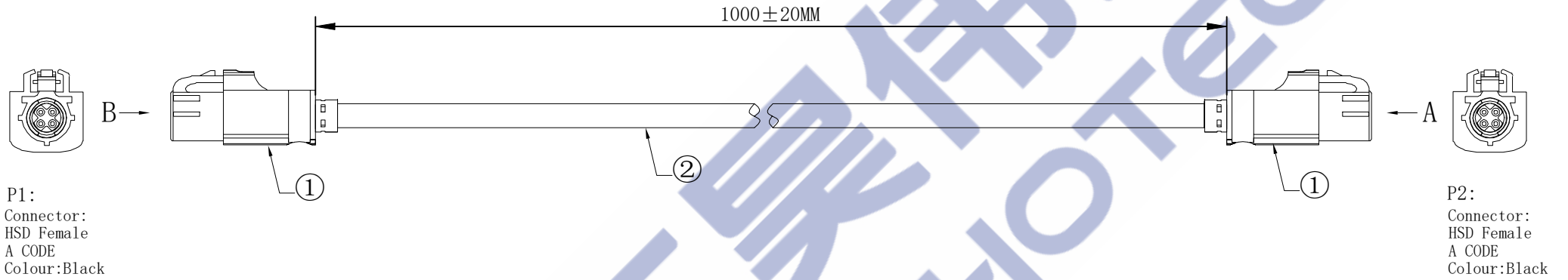
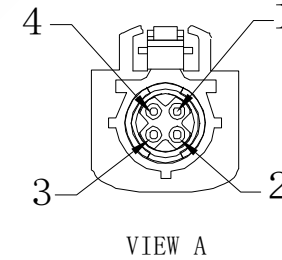


Product NO.		RHT-605-6418			
REV	DESCRIPTION	DWN	DATE	APPROVEN	
R1.0	FIRST ISSUE	YYX	2024.08.07	Gavin	



Pin Assignment

P1:HSD Female	Color	P2:HSD Female
4	Blue	1
3	Orange	2
2	Green	3
1	Brown	4
Shell	Braid	Shell



2	Cable	7/0.16TC*1.2*4C+MY+AL+128/0.1TC, OD:4.6mm, Black	1
1	Connector	HSD FEMALE, A CODE, Colour:Black	2
NO	PART NAME	DESCRIPTION	QTY

-TOLERANCES- UNLESS OTHERWISE SPECIFIED		RENHOTEC GROUP					
		PART DESCRIPTION: HSD A Jack to HSD A Jack HSD Cable, 1m, LVDS cable, 50ohm					
UNLESS OTHERWISE SPECIFIED TOLERANCES FOR MILLIMETERS ARE:		Appd: Gavin	P/N: RHT-605-6418				
0.5 - 8mm ± 0.20mm 8 - 30mm ± 0.25mm 30 - 120mm ± 0.30mm		Check:	Date	Scale	Unit	Type	Page
		Draw: YYX	2024.08.07	Free	MM	Z	1/1