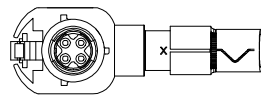
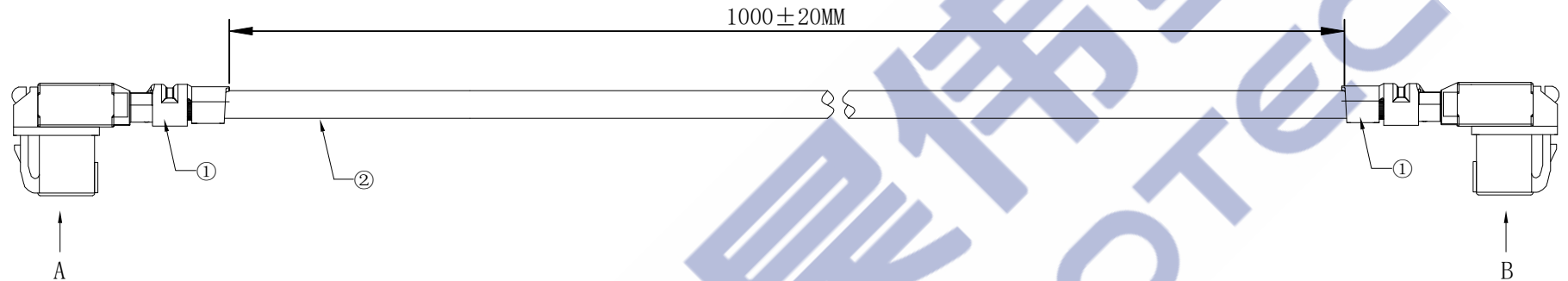
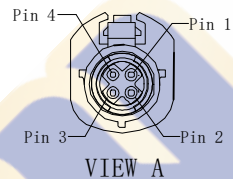


Product NO.			RHT-605-6420		
REV	DESCRIPTION	DWN	DATE	APPROVEN	
R1.0	FIRST ISSUE	YYX	2024.08.07	Gavin	



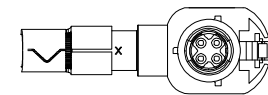
P1:  
R/A HSD 4P FEMALE  
0 CODE, Colour:Pastel Green



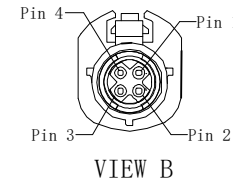
VIEW A

Pin Assignment

P1:HSD FEMALE	Color	P2:HSD FEMALE
4	Blue	1
3	Orange	2
2	Green	3
1	Brown	4
Shell	Braid	Shell



P2:  
HSD 4P FEMALE  
0 CODE, Colour:Pastel Green



VIEW B

2	Cable	7/0.16TC*1.2*4C+MY+AL+128/0.1TC, OD:4.6mm, Black	1
1	Connector	R/A HSD jack, 0 CODE, Colour:Pastel Green	2
NO	PART NAME	DESCRIPTION	QTY

-TOLERANCES-  
UNLESS OTHERWISE  
SPECIFIED

UNLESS OTHERWISE SPECIFIED  
TOLE RANCES FOR MILLIMETERS  
ARE:  
0.5 - 8mm ± 0.20mm  
8 - 30mm ± 0.25mm  
30 -120mm ± 0.30mm



RENHOTEC GROUP

Appd: Gavin		PART DESCRIPTION: R/A HSD 0 Jack to R/A HSD 0 Jack with Cable ,1m, LVDS cable, 50ohm			
Check:		P/N: RHT-605-6420			
Draw: YYX	Date: 2024.08.07	Scale: Free	Unit: MM	Type: Z	Page: 1/1