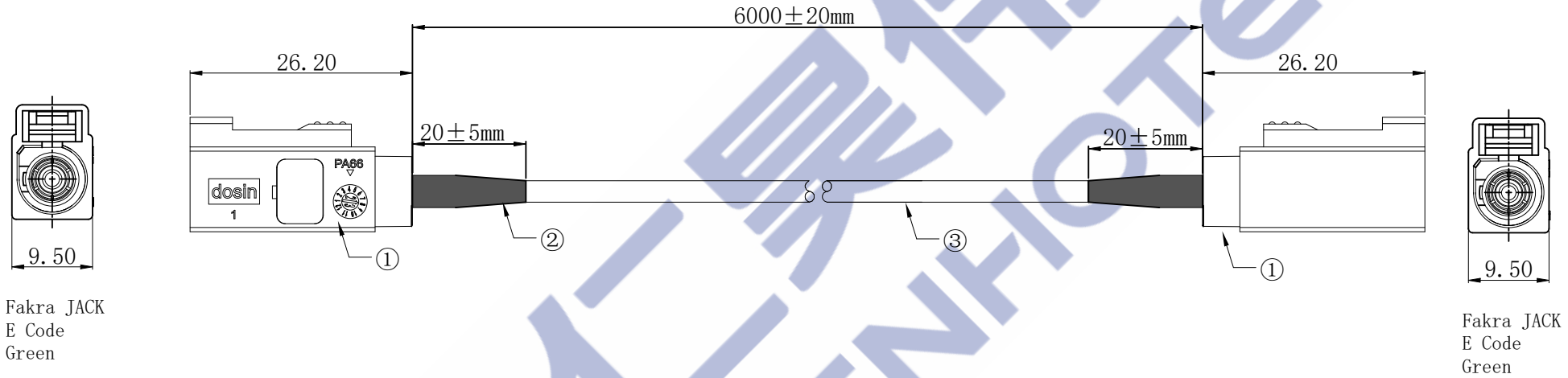




Product NO.		RHT-605-6469		
REV	DESCRIPTION	DWN	DATE	APPROVEN
R1.0	FIRST ISSUE	YYX	2024.08.02	Gavin



Fakra JACK  
E Code  
Green

Fakra JACK  
E Code  
Green

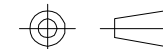
**Specifications:**

Impedance:50 Ohms  
Frequency Range:DC~3G  
VSWR:1.5MAX  
Working Voltage:335V rms sea level  
Temperature Range:-20°C To +80°C

-TOLERANCES-  
UNLESS OTHERWISE  
SPECIFIED



**RENHOTEC GROUP**



PART DESCRIPTION: Fakra E code JACK to Fakra  
E code JACK for RG174 cable, 6m, 50 Ω

UNLESS OTHERWISE SPECIFIED  
TOLERANCES FOR MILLIMETERS  
ARE:  
0.5 - 8mm ± 0.20mm  
8 - 30mm ± 0.25mm  
30 - 120mm ± 0.30mm

Appd: Gavin	P/N: RHT-605-6469				
Check:	Date	Scale	Unit	Type	Page
Draw: YYX	2024.08.02	Free	MM	Z	1/1

3	CABLE	CA-605-6469	RG174, Jacket:PVC BLACK OD:2.8±0.1mm	1
2	HOT SHRINK TUBE	9-010302001	Black L=20mm	2
1	Fakra JACK	DS1-0105F0001-A	Brass, Nickel plating	2
NO	PART NAME	P/N	DESCRIPTION	QTY