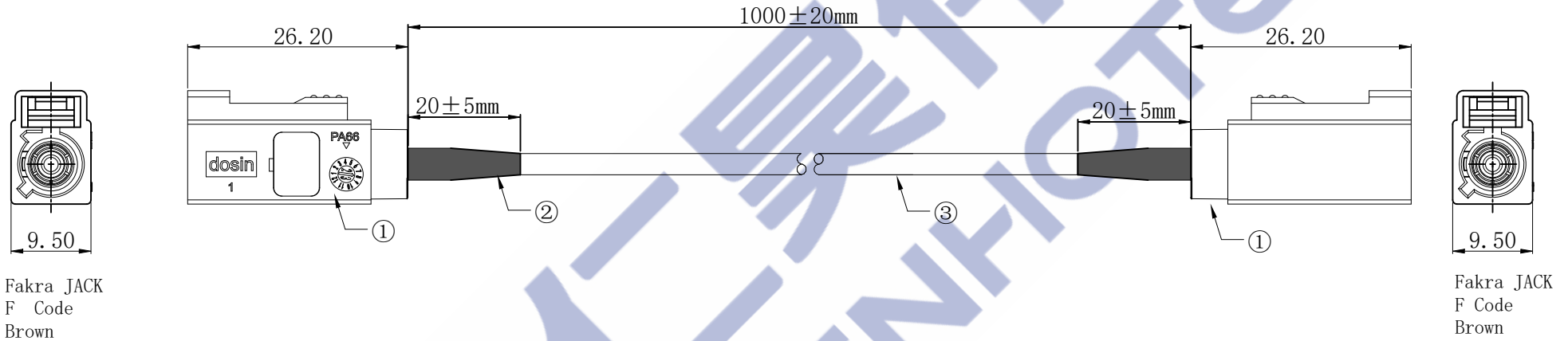




Product NO.		RHT-605-6475		
REV	DESCRIPTION	DWN	DATE	APPROVEN
R1.0	FIRST ISSUE	YYX	2024.08.02	Gavin



Specifications:

Impedance:50 Ohms
 Frequency Range:DC~3G
 VSWR:1.5MAX
 Working Voltage:335V rms sea level
 Temperature Range:-20°C To +80°C

3	CABLE	CA-605-6475	RG174, Jacket:PVC BLACK OD:2.8±0.1mm	1
2	HOT SHRINK TUBE	9-010302001	Black L=20mm	2
1	Fakra JACK	DS1-0106F0001-A	Brass , Nickel plating	2
NO	PART NAME	P/N	DESCRIPTION	QTY

-TOLERANCES-
 UNLESS OTHERWISE
 SPECIFIED



RENHOTEC GROUP

UNLESS OTHERWISE SPECIFIED
 TOLERANCES FOR MILLIMETERS
 ARE:
 0.5 - 8mm ± 0.20mm
 8 - 30mm ± 0.25mm
 30 - 120mm ± 0.30mm

	PART DESCRIPTION: Fakra F code JACK to Fakra F code JACK for RG174 cable, 6m, 50 Ω				
	Appd: Gavin	P/N: RHT-605-6475			
Check:	Date	Scale	Unit	Type	Page
Draw: YYX	2024.08.02	Free	MM	Z	1/1