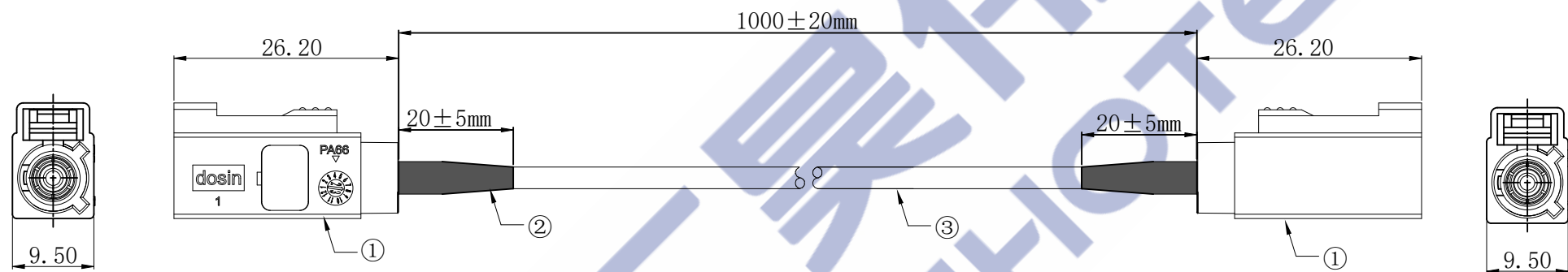




Product NO.		RHT-605-6476		
REV	DESCRIPTION	DWN	DATE	APPROVEN
R1.0	FIRST ISSUE	YYX	2024.08.02	Gavin



Fakra JACK
D Code
Bordeaux

Fakra JACK
D Code
Bordeaux

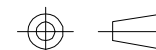
Specifications:

Impedance: 50 Ohms
 Frequency Range: DC ~ 3G
 VSWR: 1.5 MAX
 Working Voltage: 335V rms sea level
 Temperature Range: -20°C To +80°C

-TOLERANCES-
UNLESS OTHERWISE
SPECIFIED



RENHOTEC GROUP



PART DESCRIPTION: Fakra D code JACK to Fakra D code JACK for RG174 cable, 1M, 50 Ω

UNLESS OTHERWISE SPECIFIED
TOLERANCES FOR MILLIMETERS
ARE:
 0.5 - 8mm ± 0.20mm
 8 - 30mm ± 0.25mm
 30 - 120mm ± 0.30mm

Appd: Gavin	P/N: RHT-605-6476				
Check:	Date	Scale	Unit	Type	Page
Draw: YYX	2024.08.02	Free	MM	Z	1/1

3	CABLE	CA-605-6476	RG174, Jacket:PVC BLACK OD:2.8±0.1mm	1
2	HOT SHRINK TUBE	9-010302001	Black L=20mm	2
1	Fakra JACK	DS1-0104F0001-A	Brass, Nickel plating	2
NO	PART NAME	P/N	DESCRIPTION	QTY