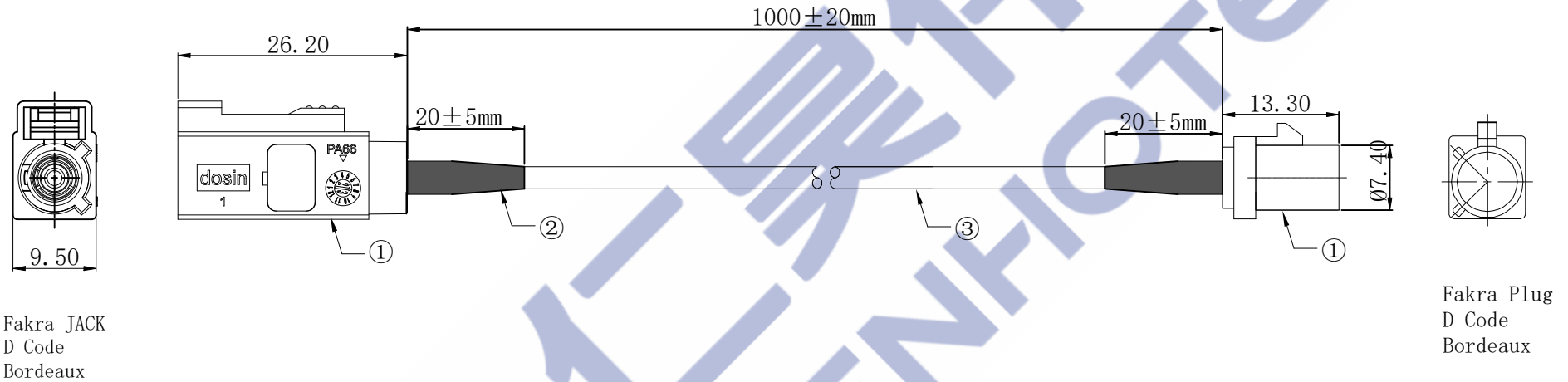




Product NO.		RHT-605-6478		
REV	DESCRIPTION	DWN	DATE	APPROVEN
R1.0	FIRST ISSUE	YYX	2024.08.02	Gavin



**Specifications:**

Impedance: 50 Ohms  
 Frequency Range: DC ~ 3G  
 VSWR: 1.5 MAX  
 Working Voltage: 335V rms sea level  
 Temperature Range: -20 To +80°C

4	Fakra PLUG	RHT-698-0216	Brass , Nickel plating	1
3	CABLE	CA-605-6478	RG174, Jacket:PVC BLACK OD:2.8±0.1mm	1
2	HOT SHRINK TUBE	9-010302001	Black L=20mm	2
1	Fakra JACK	DS1-0104F0001-A	Brass , Nickel plating	1
NO	PART NAME	P/N	DESCRIPTION	QTY

-TOLERANCES- UNLESS OTHERWISE SPECIFIED  UNLESS OTHERWISE SPECIFIED TOLERANCES FOR MILLIMETERS ARE: 0.5 - 8mm ± 0.20mm 8 - 30mm ± 0.25mm 30 - 120mm ± 0.30mm	<b>RENHOTEC GROUP</b>	
	PART DESCRIPTION: Fakra D code JACK to Fakra D code PLUG for RG174 cable, 1M, 50Ω	
Appd: Gavin Check: Draw: YYX	P/N: RHT-605-6478 Date: 2024.08.02 Scale: Free Unit: MM Type: Z Page: 1/1	