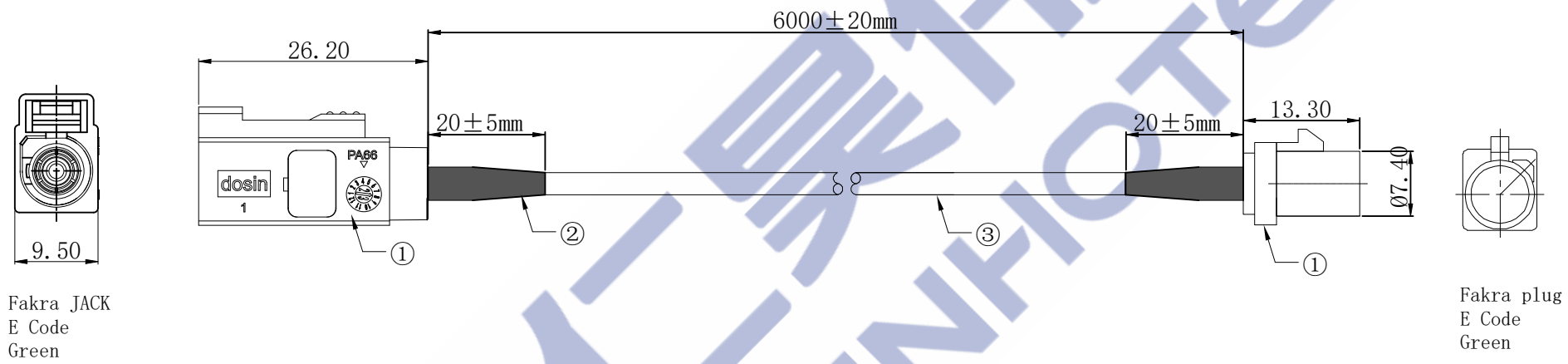




Product NO.		RHT-605-6479		
REV	DESCRIPTION	DWN	DATE	APPROVEN
R1.0	FIRST ISSUE	YYX	2024.08.02	Gavin



Fakra JACK
E Code
Green

Fakra plug
E Code
Green

Specifications:
 Impedance:50 Ohms
 Frequency Range:DC~3G
 VSWR:1.5MAX
 Working Voltage:335V rms sea level
 Temperature Range:-30 To +80°C

-TOLERANCES- UNLESS OTHERWISE SPECIFIED UNLESS OTHERWISE SPECIFIED TOLERANCES FOR MILLIMETERS ARE: 0.5 - 8mm ± 0.20mm 8 - 30mm ± 0.25mm 30 - 120mm ± 0.30mm	RENHOTEC GROUP				
	PART DESCRIPTION: Fakra E code JACK to Fakra E code PLUG for RG174 cable, 6m, 50 Ω				
Appd: Gavin	P/N: RHT-605-6479				
Check:	Date: 2024.08.02	Scale: Free	Unit: MM	Type: Z	Page: 1/1
Draw: YYX					

4	Fakra PLUG	RHT-698-0216	Brass , Nickel plating	1
3	CABLE	CA-605-6479	RG174, Jacket:PVC BLACK OD:2.8±0.1mm	1
2	HOT SHRINK TUBE	9-010302001	Black L=20mm	2
1	Fakra JACK	DS1-0105F0001-A	Brass , Nickel plating	2
NO	PART NAME	P/N	DESCRIPTION	QTY