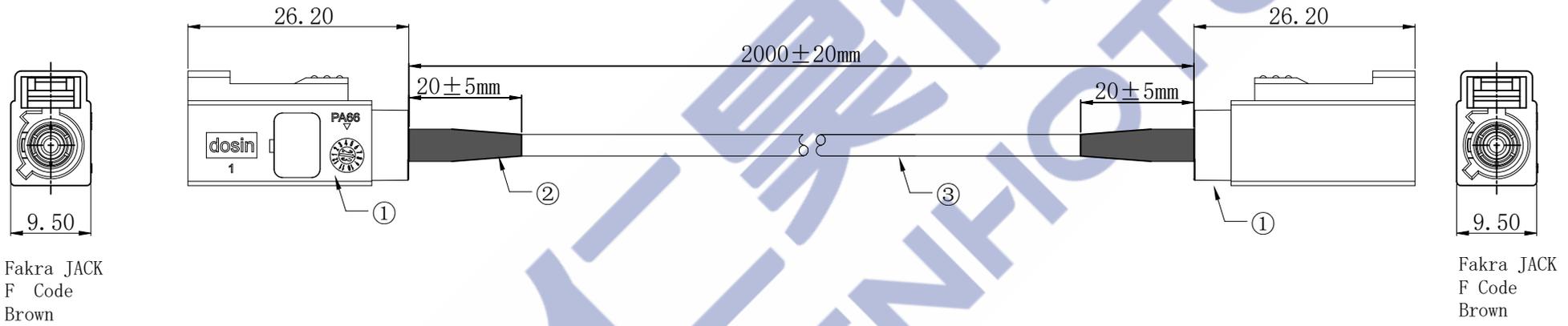




Product NO.		RHT-605-6501		
REV	DESCRIPTION	DWN	DATE	APPROVEN
R1.0	FIRST ISSUE	YYX	2024.08.01	Gavin



Fakra JACK  
F Code  
Brown

Fakra JACK  
F Code  
Brown

**Specifications:**  
 Impedance: 50 Ohms  
 Frequency Range: DC ~ 3G  
 VSWR: 1.5 MAX  
 Working Voltage: 335V rms sea level  
 Temperature Range: -20 To +80°C

-TOLERANCES- UNLESS OTHERWISE SPECIFIED	<b>RENHOTEC GROUP</b>				
	PART DESCRIPTION: Fakra F code jack to Fakra F code jack for RG174 cable, 2m, 50 Ω				
UNLESS OTHERWISE SPECIFIED TOLERANCES FOR MILLIMETERS ARE:	Appd:	P/N: RHT-605-6501			
	Check:	Date	Scale	Unit	Type
0.5 - 8mm ± 0.20mm 8 - 30mm ± 0.25mm 30 - 120mm ± 0.30mm	Draw:	2024.08.01	Free	MM	Z
	YYX				1/1

NO	PART NAME	P/N	DESCRIPTION	QTY
3	CABLE	CA-605-6501	RG174, Jacket:PVC BLACK OD:2.8±0.1mm	1
2	HOT SHRINK TUBE	9-010302001	Black L=20mm	2
1	Fakra JACK	DS1-0106F0001-A	Brass, Nickel plating	2