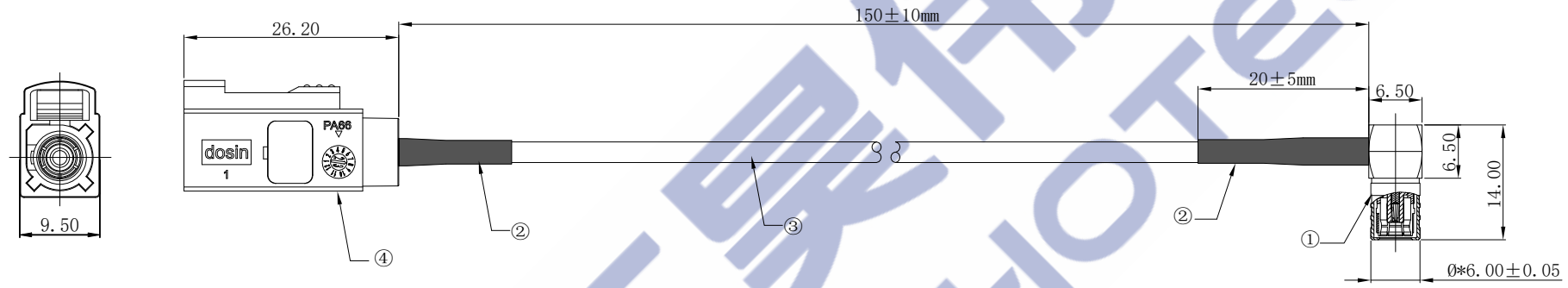




Product NO.		RHT-605-6511		
REV	DESCRIPTION	DWN	DATE	APPROVEN
R1.0	FIRST ISSUE	YYX	2024.08.01	Gavin



Fakra Plug  
Z Code  
Water Blue

**Specifications:**  
 Impedance:50 Ohms  
 Frequency Range:DC~3G  
 VSWR:1.5MAX  
 Working Voltage:335V rms sea level  
 Temperature Range:-20 To +80°C

-TOLERANCES- UNLESS OTHERWISE SPECIFIED  UNLESS OTHERWISE SPECIFIED TOLERANCES FOR MILLIMETERS ARE: 0.5 - 8mm ± 0.20mm 8 - 30mm ± 0.25mm 30 - 120mm ± 0.30mm	<b>RENHOTEC GROUP</b>			
	PART DESCRIPTION:Fakra Z code jack to SMB plug FOR RG174 cable,15cm, 50Ω			
Appd: Gavin	P/N: RHT-605-6511			
Check:	Date	Scale	Unit	Type
Draw: YYX	2024.08.01	Free	MM	Z
				Page
				1/1

4	Fakra JACK	DS1-0114F0001-A	Brass , Nickel plating	1
3	CABLE	CA-605-6511	RG174, Jacket:PVC BLACK OD:2.8±0.1mm	1
2	HOT SHRINK TUBE	9-010302001	Black L=20mm	2
1	R/A SMB PLUG	RHT-626-0520	Brass ,Gold plated	1
NO	PART NAME	P/N	DESCRIPTION	QTY