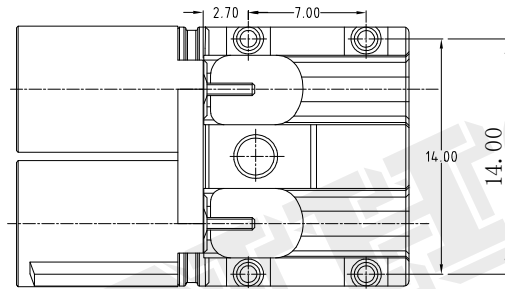
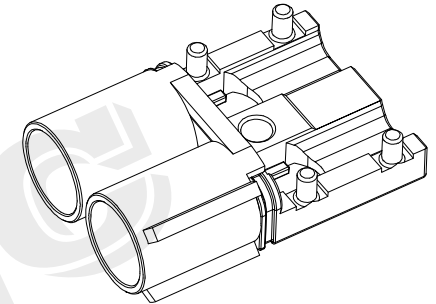
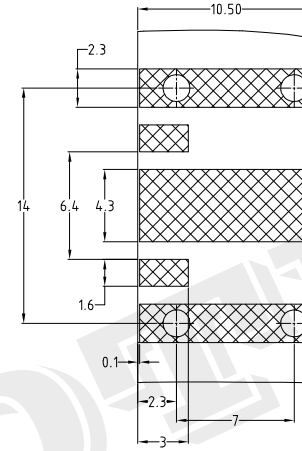
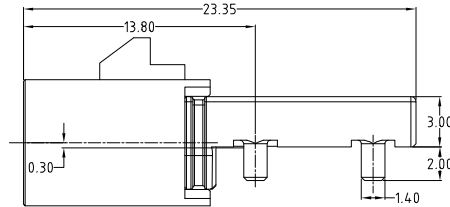
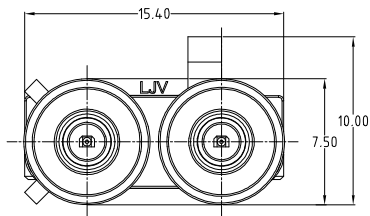




Product NO.		RHT-698-0529		
REV	DESCRIPTION	DWN	DATE	APPROVEN
RI.0	First issue	Gavin	2023/02/20	JIM. KING



RECOMMENDED PCB LAYOUT TOP VIEW
TOLERANCE:±0.05(PCB THICKNESS=1.6±0.15mm)

Electrical parameters:
Insulation resistance: 1000MΩ Min
Contact resistance: 30mΩ Max
Withstand voltage: 500V AC
Insertion/extraction force: ≤50N
Insertion times: 500 times
Operating temperature: -40℃~85℃

Table 1

Plug	Coding	Color	Plug	Coding	Color
	A	Black		H	Violet
	B	White		I	Beige
	C	Blue		K	Curry
	D	Claret		L	Carmine red
	E	Green		M	Pastel orange
	F	Brown		N	Pastel green
	G	Grey		Z	Water blue

Notes:

- Material:
 - Housing: High temperature thermoplastic,color see table 1.
 - Dielectrics: High temperature thermoplastic,color nature.
 - Center contact: Copper alloy.
 - Outer contact : Zinc alloy.
- Finish:
 - Center contact: 0.15um min. gold plated on contact area;
 - Outer contact : 1-2.5um min. matte tin plated.
- RoHS compliant.

-TOLERANCES- UNLESS OTHERWISE SPECIFIED	RENHOTEC GROUP					
	PART DESCRIPTION: R/A FAKRA MALE 1x2 FOR PCB					
UNLESS OTHERWISE SPECIFIED TOLERANCES FOR MILLIMETERS ARE: 0.5 - 8mm ± 0.10mm 8 - 30mm ± 0.15mm 30 - 120mm ± 0.20mm	Appd: JIM. KING	P/N: RHT-698-0529				
	Check:	Date	Scale	Unit	Type	Page
	Draw: Gavin	2023.02.20	Free	MM	Z	1/1